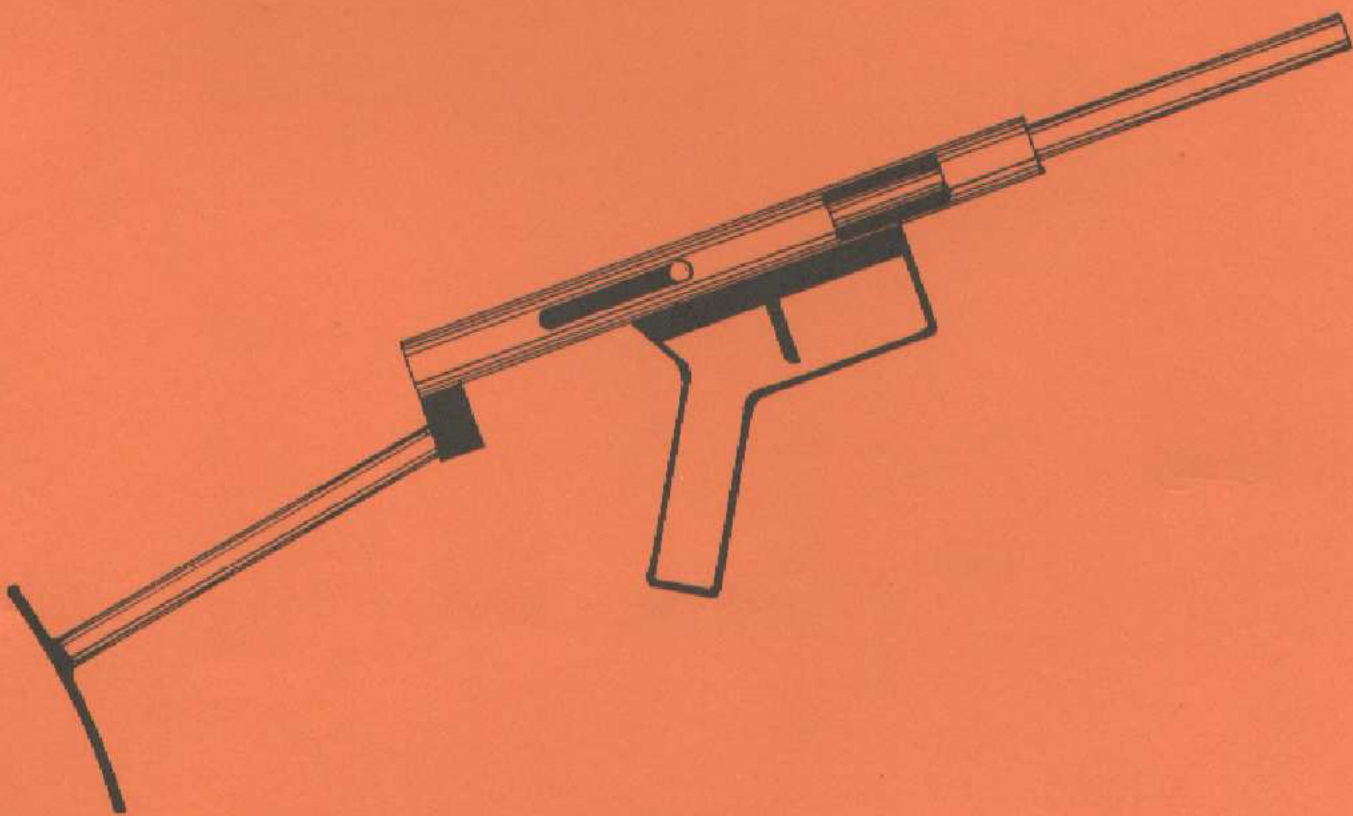


IMPROVISED WEAPONS

OF THE

AMERICAN UNDERGROUND



IMPROVISED WEAPONS
of the
AMERICAN
UNDERGROUND

IMPROVISED WEAPONS of the AMERICAN UNDERGROUND

The contents of this book were copied from original publications, booklets, and plans of American underground groups. The publisher makes no claim as to how accurate or technically correct they may or may not have been.

©1983 and Published
By



Desert Publications

P.O. Box 1751
215 S. Washington
El Dorado, AR 71731-1751

TABLE OF CONTENTS

FORWARD	1
MANUFACTURE OF EXPLOSIVES	3
NITROGLYCERIN	3
PLASTIC EXPLOSIVES	6
IMPROVISED DETONATORS AND PRIMERS	6
IMPROVISED FUSES	7
IMPACT IGNITION INCENDIARY DEVICE	8
THE USE OF AMMONIUM NITRATE IN HIGH EXPLOSIVES	8
SILENCERS	39
CONSTRUCTION	43
SIGHTS	44
ACCURACY	44
AMMUNITION	45
HOMEMADE SUBMACHINE GUN	47
REMOVABLE PLANS	12

FOREWORD

In America, where private ownership of firearms and ammunition numbers in the millions, why would anyone have a need for improvised weapons? Why would some patriotic organizations even instruct their membership, with bulletins, handbooks, plans, etc., in the knowledge of how to manufacture and assemble various lethal weapons?

Before we condemn such activity, or start parroting the well-worn cliches originated by the news media, let's look closer at the real reasons for the fear that motivates such activity.

In a society rotted by misguided altruism, criminals receive more concern than the victims; national enemies receive aid while allies are ignored or even sanctioned against; hardened criminals have their death penalties abolished, while innocent babies are murdered in the womb by tax supported ghouls; the fruits of one's labors are extracted by force in ever increasing amounts, in the form of illegal taxation.

The enemies of freedom in this country (or any other country that has previously fallen) know, ever so well, that civilian ownership of firearms represents the vanguard of resistance in the final-round fight against tyranny. The annals of history fail to reveal a nation that has surrendered its freedom without having first surrendered its privately owned firearms and weapons.

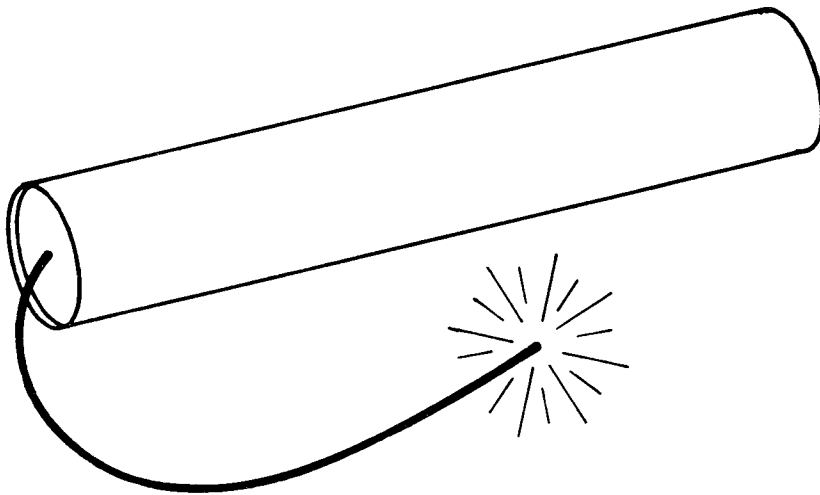
Over the past decade, all too many misguided or subversive legislators have chisled away at our constitutional and God ordained right to protect ourselves.

Parallelling this heinous effort, American patriots, in ever increasing numbers, are simply saying, "Go ahead and disarm us you S.O.B.'s . . . with our Yankee ingenuity, fueled by the desire to be free, we will fabricate our own weapons and use them in whatever manner is necessary to secure and maintain our freedom."

The various articles in this book have been compiled from actual publications, some of which are over ten years old. The various groups responsible have not been named in an effort to present a document, to the academic arena, void of bias.

- WARNING -

THESE ARTICLES ARE PRESENTED FOR ACADEMIC STUDY ONLY. THE ACTUAL CONSTRUCTION OF THE DEVICES AND MATERIALS DESCRIBED IN THIS BOOK WOULD BE DANGEROUS, EVEN FOR AN EXPERIENCED CHEMIST. ALSO, THE CONSTRUCTION OR POSSESSION OF MANY OF THESE DEVICES WOULD BE IN VIOLATION OF VARIOUS FEDERAL, STATE, AND LOCAL LAWS.



MANUFACTURE OF EXPLOSIVES

Under conditions of enemy occupation, a resistance movement will have limited access to explosives. Needless to say, the occupying forces will severely limit the commercial use of explosives, and will make an extra effort to guard their store of military explosives.

Members of the resistance movement will naturally use their ingenuity to find substitutes for the use of explosives in sabotage, booby traps, etc. Still there are some situations in which only explosives of proper type will best serve the intended purpose.

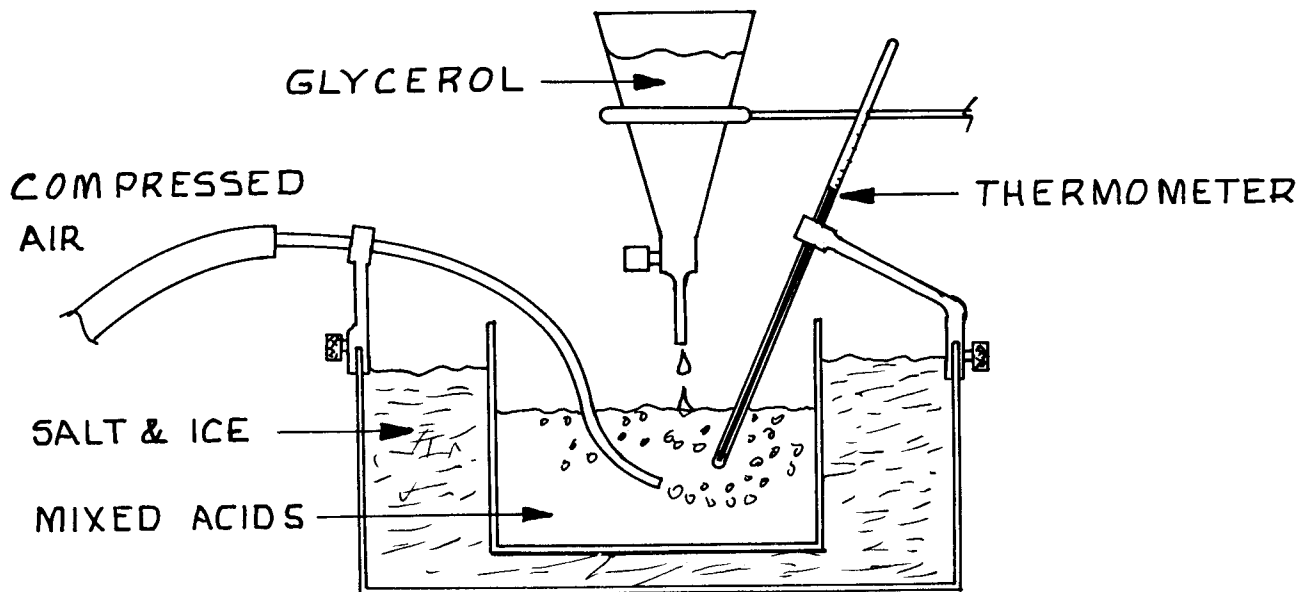
Needless to say, the manufacture of any explosive is a dangerous occupation which should be engaged in only by those who have the necessary technical experience. Each band should include or recruit a qualified chemist to help improvise explosives and other chemical warfare agents at such time as this may be necessary.

NITROGLYCERIN

Basically, the production of nitroglycerin involves the gradual adding of glycerol to a mixture of nitric and sulfuric acids, followed by the separation of the nitroglycerin from the waste products. The following directions will serve for the laboratory preparation of nitroglycerin in small amounts.

PREPARATION OF THE MIXED ACID —

1. Measure out 200 ml of fuming, or 90%, nitric acid, having a specific gravity of 1.5 at room temperature.
2. Measure out 300 ml of concentrated, or 98%, sulfuric acid, having a specific gravity of 1.84 at room temperature.
3. Slowly pour the sulfuric acid into the nitric acid, and start letting it cool off in the salt-ice bath.



ACTUAL NITRATION —

1. Measure out one unit (oz, mo, gram, etc.) of chemical pure glycerol, or glycerine (water free), having a specific gravity of 1.262 to 1.265 at 15 degrees centigrade, into the dropping funnel of the nitrator.
2. Put six like units of the mixed acid into the nitrator tank.
3. One unit of glycerol yields about 2-1/3 units of nitro, so you can judge the amount of glycerol to use by the amount of nitro you wish to make.
4. The inner container of the nitrator must be made of a material impervious to acids, such as pyrex. The outer container can be composed of a more varied assortment of materials, as it contacts only the salt and ice.
5. Start the air flow and regulate it so that the acids are well stirred, but not spattering out of the nitrator. Use a screw-type clamp to regulate the air flow, and watch the flow carefully, as it helps to keep the temperature down. If the temperature does go up, give the nitrator as much air as you possibly, and safely, can.
6. Start the glycerine into the nitrator in a fine, slow stream, or even by the drop, depending on the temperature rise and the speed and violence of the reaction. With plenty of time available, the drop method is advisable.
7. The ice bath is salt and crushed ice, with a small amount of water.
8. Use a total immersion centigrade thermometer in the acids in the nitrator. The nitrating temperature is kept below 22 degrees C. If it runs higher, cool it off. The temperature can go up to 30 degrees C. without too much danger. The nitro being produced will start to decompose at 50 degrees C., and give off the red gas of nitrogen dioxide, which is poisonous. Don't let this happen. If there is a sudden rise in the temperature, or the red gas is noticed, **DUMP THE WHOLE WORKS IN THE COLD WATER!**

9. Keep the reaction cool and the air stirring going until the temperature of the reaction comes down to 15 degrees C. and remains there, or a little cooler.

SEPARATION AND WASHING —

1. Pour the cool solution from the nitrator into plenty of room-temperature water. Now run this water-nitro-acid solution into the separator.
2. Separate the “liquors”, or waste acids, from the nitro. The nitro will be the heavy oil on the bottom.
3. Keep the “liquors” separate for further nitro separation with chloroform, if one wants to do this. This is only done after neutralizing the acids with sodium carbonate solution. Check the acidity with blue litmus paper. When it is neutral, the litmus will remain blue, and show no red.
4. Add plenty of 38-to-43 degree C. water to the nitro, and mix up with the air stirring. Then separate.
5. Repeat the washing completely as above.
6. Wash with a warm, 4% solution of sodium carbonate.
7. Wash with water three more times, as in step No. 4.
8. Give it a final wash of concentrated salt solution; let it set for one day before separating.
9. Separate and check the nitro for acidity. The nitro must be neutral. If it is not, keep washing the nitro. It must be neutral, for safety and keeping qualities.

DRYING — Dry the nitro over sulfuric acid in a dessicator. The nitro should have a specific gravity of 1.6 at 15 degrees C. It may take several days for the nitro to dry out.

CHLOROFORM SEPARATION — Add an equal quantity of C.P. chloroform to the neutral “liquors.” Mix, then let separate and run through the separator. Let the chloroform-nitro set in the open for one day, so the chloroform can evaporate off as much as possible. Now this nitro can be mixed with the other nitro just before it is put into the dessicator to dry.

CAUTIONS

1. Don't touch any two glasses together when pouring, as the nitro may run down the outside of the glass, thereby creating danger.
2. The entire operation should be done in the outside, or a well ventilated place, or under a fume hood or duct.
3. Nitro is poisonous, and the fumes cause severe headaches.

NOTES —

1. The warmer the nitro is, the more sensitive it is to detonation.

2. Frozen nitro, contrary to popular belief, can be detonated under certain conditions, and should not be considered totally safe.
3. The process takes about 2¼ hours, exclusive of the specific processes requiring several days.
4. Nitro, in its liquid form, has several times the explosive power of nitro when it has been absorbed in a dynamite form.

PLASTIC EXPLOSIVES

In Algeria, the OAS made wide use of plastic explosives in their campaign of terror against the FLN. This has led many persons to assume that they manufactured this explosive material themselves, which was not the case. They were fortunate to have large quantities on hand that were liberated from foreign legion storage depots.

The United States Army uses two types of plastic explosives, referred to as C-3 and C-4. These are usually referred to as composition C. Both of these explosives are made by mixing another explosive called RDX with a mixture of other chemicals to make it plastic. C-3 contains 80% RDX, and C-4 contains 91% RDX.

The chemical formula for RDX is: hexahydro-1, 3, 5-trinitro-5-triazine. It is a difficult chemical to manufacture, and thus makes the manufacture of composition C at least as difficult.

A much simpler plastic explosive has been developed by underground groups, and is designated as composition M.

Composition M can be safely produced, is comparatively non-toxic, and can be stored at room temperature.

MATERIALS NEEDED — Potassium chlorate, petroleum jelly (vaseline), a round, wooden stick (rolling pin).

Spread the potassium chlorate thinly on a hard surface. Roll the round stick over the crystals to crush them into a very fine powder (until it looks like face powder).

Take nine parts of the powdered potassium chlorate and one part of vaseline, and knead them together until a uniform paste is obtained.

Detonate with a blasting cap, or with a .30 Cal. fused blank.

IMPROVISED DETONATORS AND PRIMERS

A detonator is an explosive that is very sensitive either to impact or to a spark. Examples are mercury fulminate and lead azide. Up until the middle of World War II, mercury fulminate was used in the manufacture of rifle primers. Later, lead azide was substituted for this purpose, as it is not corrosive.

The word primer is also used for a small explosive charge (such as in a blasting cap) used to detonate a less sensitive explosive. Most explosives such as TNT, nitroglycerin, PETN, RDX, picric acid, etc. require a primer of some type to cause them to detonate.

There are literally dozens of chemical mixtures that will explode when properly confined and ignited by fuse or other suitable means. Many of them, however, have the disadvantage that they either draw moisture easily, or that they are too sensitive to handle safely. Some of the more suitable mixtures are discussed below.

One suitable detonator can be made by suspending ten grams of powdered picric acid in 20 cc of water, adding ten grams of litharge, stirring the mixture, then allowing it to evaporate from a shallow dish.

To make a substitute blasting cap, two grams of this dried mixture can be pressed into an empty cartridge case (30-06, or similar size). A fuse is then inserted through the open end of the case and held by wax, or by crimping the end of the case gently.

A composition suitable for making primers that will explode from impact can be prepared by mixing this picric acid litharge mixture with 25% powdered glass. Drop tests show that this is about one-half as sensitive to impact as lead styphnate.

Another good detonating chemical is silver oxalate, which may be prepared as follows: Make up two separate water solutions, one of which is a semi-saturated solution of silver nitrate, and the other a semi-saturated solution of oxalic acid. When the two solutions are poured together, crystals of silver oxalate will form and settle out at the bottom of the container. These may be filtered out through a fine sieve and allowed to dry. Confined in a cartridge case, they will detonate when ignited by a fuse. Both oxalic acid and silver nitrate are widely used industrial chemicals, and should be available in spite of restricted conditions. Both of these chemicals are poisonous and should be handled with caution.

A blank rifle cartridge (those used simply to make noise) can also be fused in this manner to serve as a substitute blasting cap.

IMPROVISED FUSES

Just as explosives will be difficult to obtain under occupation conditions, such accessories as electric caps, fuses, etc. will also be scarce. To use explosives efficiently, it may be necessary to improvise not only the blasting caps, but the fuse as well. A satisfactory fuse must burn dependably and at a uniform rate. Some of the difficulties encountered in improvising fuses are moisture, and the fact that the fuse may stop burning if it passes over a large metal object (for example, a railroad track) that carries away the heat of combustion rapidly.

One suitable fuse can be prepared by soaking cotton string in a mixture made from half water, and half Lepage's glue. The strings are removed wet from this mixture, and dropped into a suspension of picric acid, litharge, and water in the proportions used above for making primers. After stirring the strings for five minutes, they are then removed and hung up to dry. This drying will take two days under conditions of low humidity, and longer if the humidity is high. This fuse will burn at the rate of two-thirds inch per second.

A fast burning fuse (30 to 40 inches per minute) can be made as follows: Twist soft cotton string into three strands. Moisten black powder to form a paste, and rub the paste into the twisted string.

Another slow burning fuse (2 inches per minute) can be made as follows: Dissolve 15 grams of sugar in one ounce of water. To this mixture, add 15 grams of either potassium nitrate, or potassium chlorate. Stir until completely dissolved. Soak cotton string in this solution for a few minutes, then twist the string into three strands, and allow to dry.

IMPACT IGNITION INCENDIARY DEVICE

The "molotov cocktail" is highly over-rated as a weapon of war. These are usually made by simply filling a bottle full of gasoline, and tying a piece of cloth around the neck of the bottle. To use a molotov cocktail, the bottle is uncapped momentarily, and a little of the gasoline is poured out on the cloth. The bottle is then recapped, the cloth ignited with a match, and the bottle then thrown against the target. The ability of molotov cocktails to set fire to tanks or other armored vehicles is greatly over-rated. Another disadvantage is the fact that they leave a smoking (by day), or flaming (by night) trail that immediately identifies the location of the person that has thrown the bottle. Since gasoline is so volatile, a better preparation is to mix gasoline with oil, but this produces more smoke. A "napalm" mixture can be made by filling the bottle two-thirds full of liquid detergent, and then shaking the bottle until a viscous mixture results. The disadvantage here is that these mixtures are hard to ignite during cold weather.

An improved type of "molotov cocktail" is described below, which does not have to be lit with a match but which will ignite spontaneously upon striking the target.

MATERIALS NEEDED — Concentrated sulphuric acid, gasoline, potassium chlorate, and sugar.

Fill a one quart bottle two-thirds full with gasoline. Add concentrated sulphuric acid **SLOWLY** to the bottle of gasoline until the bottle is filled to within one to two inches from the top. Place the stopper, and **WASH THE OUTSIDE OF THE BOTTLE THOROUGHLY**.

Now dissolve 100 grams (one-half cup) of potassium chlorate, and 100 grams (one-half cup) of sugar in one cup (250cc) of boiling water. Allow the solution to cool. Pour it into a small bottle and cap it tightly. The cooled solution should be two-thirds crystals and one-third liquid.

TO USE — Tie a rag (handkerchief) around the quart bottle of gasoline and acid. Shake the small bottle to mix its contents, and pour some onto the cloth. (The saturated cloth will work wet, or may be allowed to dry.)

Throw bottle onto surface that will ensure its breaking. Ignition is instantaneous.

THE USE OF AMMONIUM NITRATE IN HIGH EXPLOSIVES

Ammonium nitrate is a common fertilizer used on farms throughout the United States and most foreign countries. It is readily available from farm agencies, general stores, fertilizer companies, etc., in most farming communities.

Most people know that ammonium nitrate can be used as the basis for various high explosive mixtures. Little information has been available as to the best proportion, uses, and means of detonating these mixtures.

Depending on the method of manufacture, ammonium nitrate may occur as flakes, irregular grains, small crystals, or small, round "prills." Any of these types can be used, but prilled ammonium nitrate is most efficient. Fortunately, the prilled type is also the most common.

Explosive mixtures may be made by mixing ammonium nitrate with such organic compounds as fuel oil, powdered coal, lamp black, etc. It's quite possible that powdered sugar, starch, and many similar compounds could also be used, but further experimentation is needed. Ammonium nitrate itself is extremely difficult to detonate.

The most common, and probably the best all around, mixture consists of 94% prilled ammonium nitrate, and 6% fuel oil. In this case, the term "fuel oil" can include No. 2 diesel fuel, kerosene, light lubricating oil, etc. The only requirements are that it be thin enough to be readily absorbed by the rather porous prills of ammonium nitrate, and, on the other hand, it must not be so volatile as to evaporate easily.

The amount of fuel oil can vary from 2% to 13% and the mixture will still explode, provided that a strong detonator is used. Maximum explosive force is achieved between 5% and 6%. These percentages are figured by weight. Presumably, the best percentage of lamp black, or finely powdered coal, would be approximately the same.

Because these mixtures are comparatively insensitive, they all require a rather strong explosive to start the detonation. In nearly all cases, a one pound stick (2 x 8 inches) of 60% dynamite will suffice. The dynamite itself must, of course, be detonated by a suitable blasting cap. One stick of 40% dynamite does not have enough power to detonate an ammonium nitrate-fuel oil mixture reliably. If this is all that is available, three sticks tied together should be used.

The shape as well as the size of detonator has an effect. For example, if an eight inch stick of dynamite is cut into two four inch pieces, and these are tied together, it effectively decreases the length and increases the diameter of the detonating charge. This will increase its reliability over that achieved by a single eight inch stick.

Several other factors affect the efficiency of AN-FO (ammonium nitrate-fuel oil) mixtures. Among these are: the amount of explosive used in a single charge, degree of confinement, moisture content, particle size, temperature, etc.

AN-FO mixtures are commonly used in mining rock or ore from large open pits. In this application, holes are drilled back into the rock and the AN-FO mixture is poured into the hole. Normally, the ammonium nitrate and the fuel oil are carried separately to the mine and are mixed together just before use. The holes into which the AN-FO mixture is poured are usually several feet long. In this case, the diameter of the hole has considerable effect on the explosive force generated. A hole diameter less than three inches will not explode with sufficient force to carry itself along the bore hole. Maximum detonation velocity requires that the bore hole be at least six inches in diameter.

In using smaller amounts of AN-FO mixtures, the charge should be kept approximately equal in its length, width, and depth. In practical application, a container about the size of a gallon paint can is as small as can be used. Charges the size of a five gallon can proved much more explosive force in proportion to their weight. A small amount of AN-FO requires just as strong a primer to detonate it as does a larger amount.

Close confinement is required to achieve maximum explosive force from AN-FO mixtures. In mining operations, the rock surrounding the charge provides this confinement. To be exploded above ground the AN-FO mixture should be confined in an iron pipe not less than three inches in diameter and preferably larger. Since these mixtures are "pushing" type explosives rather than "shattering" type explosives, they must be properly placed to achieve useful work.

Suppose the objective was to destroy a large bridge. A dozen five gallon cans of AN-FO mixture are available to do the job. If these are set in the middle of the bridge or between the girders and "exploded," little, if any, damage will result. In this case, a tunnel should be dug through the dirt behind the concrete abutment at one end of the bridge. Depending on the width of the bridge, all twelve cans of explosive could be packed tightly together, or they could be spaced three or four feet apart. In either case, each can should be provided with its own primer, and all the primers should be tied together with two lengths of prima cord.

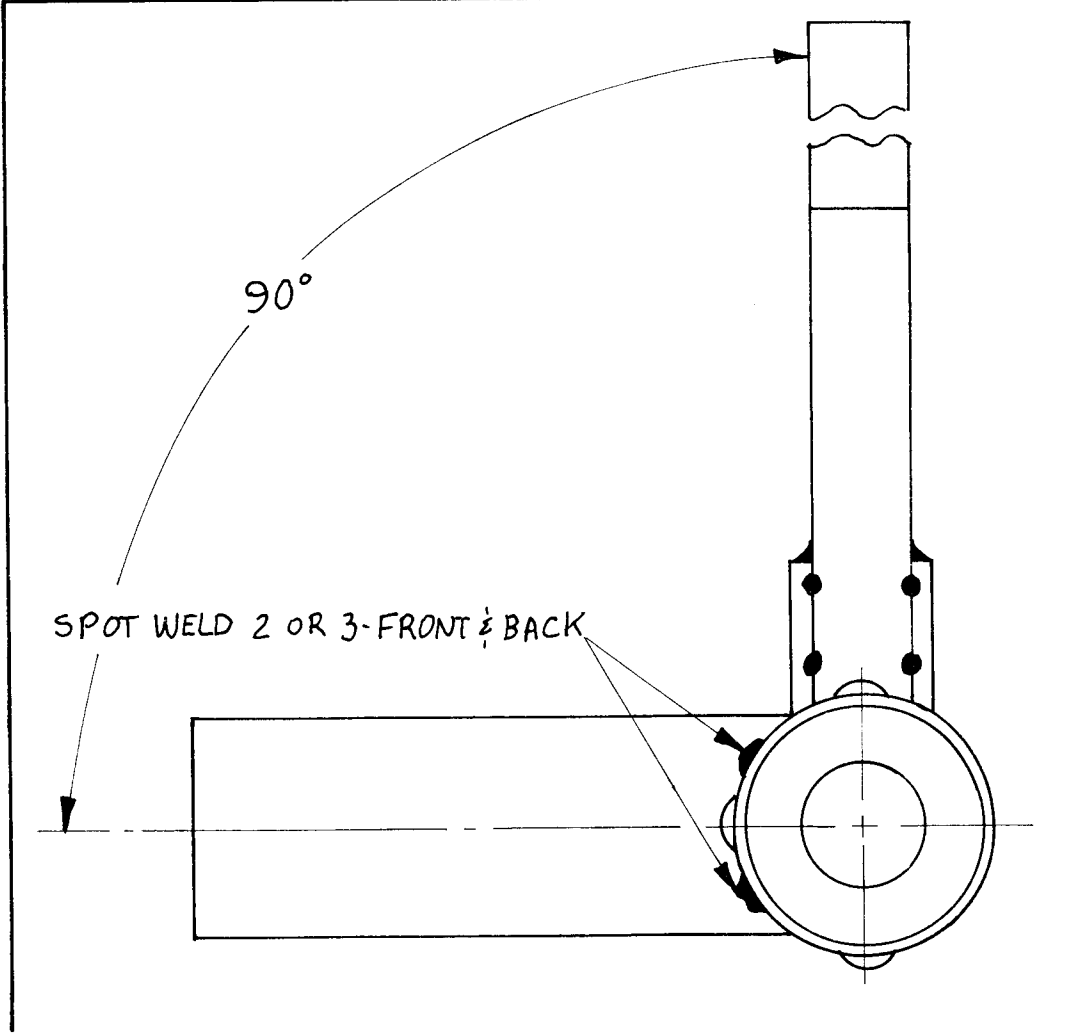
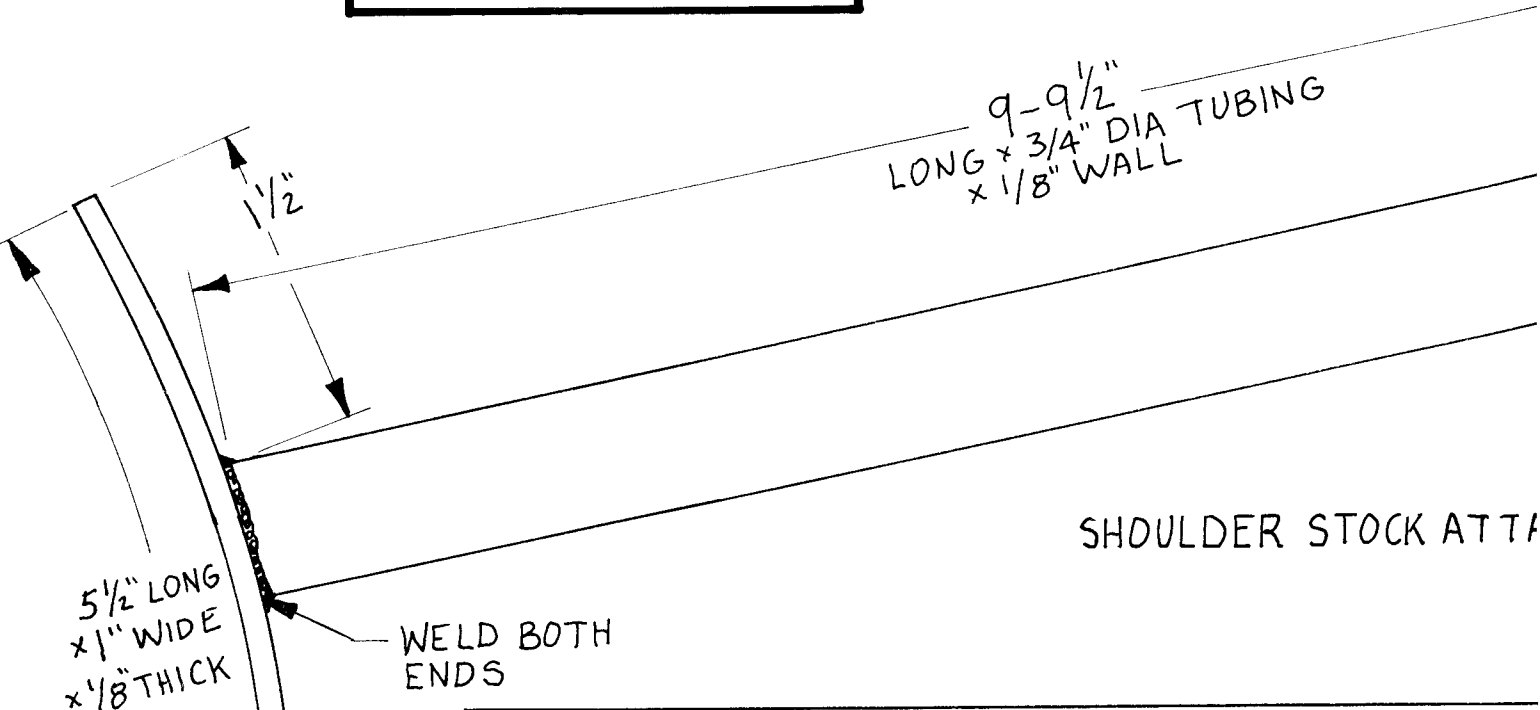
Moisture content of the ammonium nitrate is very important. This chemical absorbs moisture from the air quite easily. After being mixed with the fuel oil, it is protected from this to a considerable extent. For maximum explosive effect, the AN-FO mixture should contain no more than 4% water, and if the moisture content exceeds 7% or 8%, it may not explode at all. If it is suspected that the AN-FO mixture may be damp, double the size of the detonator.

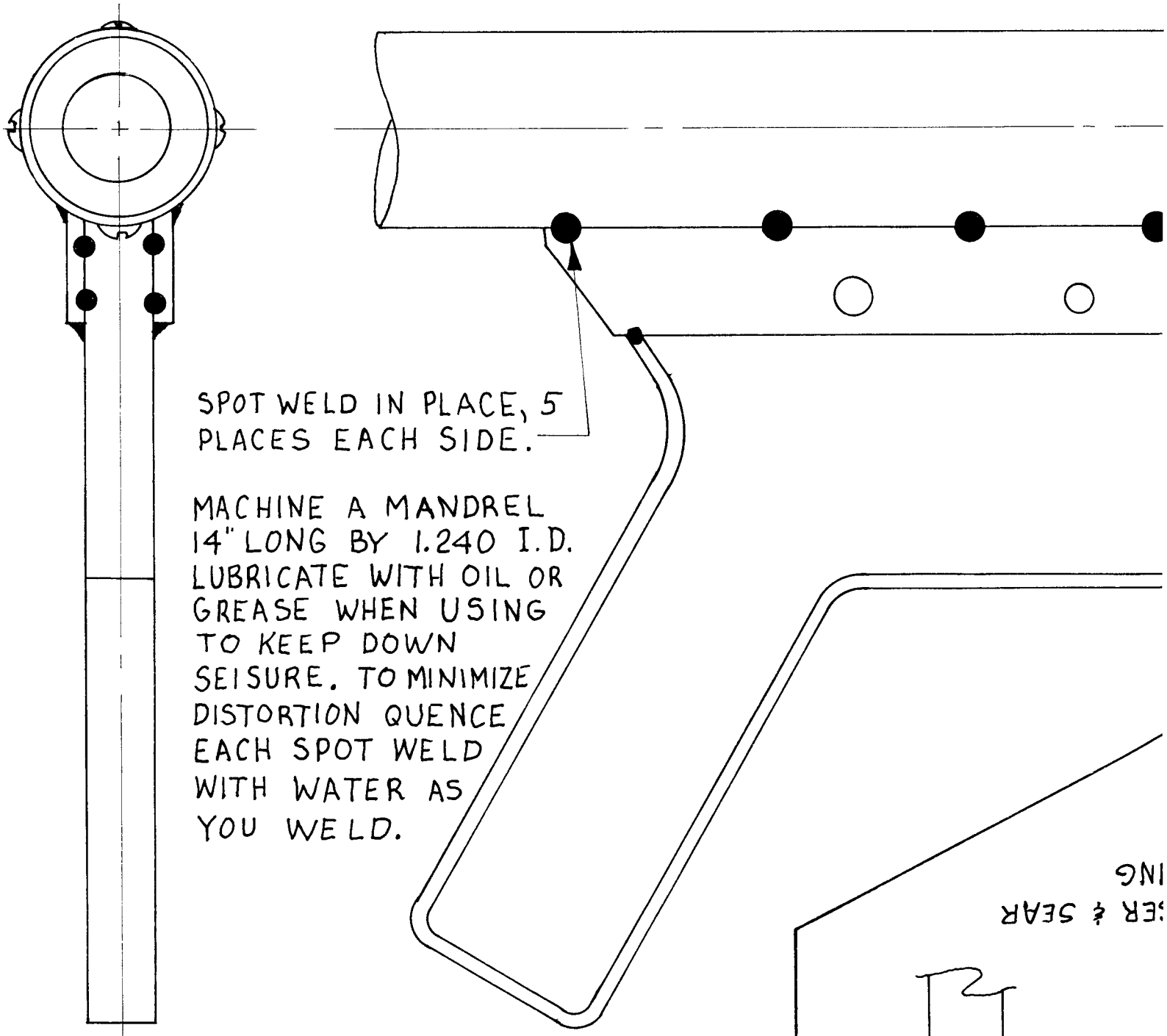
For military use, suitable charges could be made from dry ammonium mixed with the proper amount of fuel oil and then placed in water tight containers. These containers should provide some means of quickly placing the detonator into the approximate center of the charge just before it is to be used. The usual cost of ammonium nitrate is about \$6.00 per 100 pounds.

- WARNING -

THESE ARTICLES ARE PRESENTED FOR ACADEMIC STUDY ONLY. THE ACTUAL CONSTRUCTION OF THE DEVICES AND MATERIALS DESCRIBED IN THIS BOOK WOULD BE DANGEROUS, EVEN FOR AN EXPERIENCED CHEMIST. ALSO, THE CONSTRUCTION OR POSSESSION OF MANY OF THESE DEVICES WOULD BE IN VIOLATION OF VARIOUS FEDERAL, STATE, AND LOCAL LAWS.

- WARNING -
THE ACTUAL CONSTRUCTION
OF THIS WEAPON WOULD BE
IN VIOLATION OF FEDERAL
LAWS.





SPOT WELD IN PLACE, 5
PLACES EACH SIDE.

MACHINE A MANDREL
14" LONG BY 1.240 I.D.
LUBRICATE WITH OIL OR
GREASE WHEN USING
TO KEEP DOWN
SEISURE. TO MINIMIZE
DISTORTION QUENCE
EACH SPOT WELD
WITH WATER AS
YOU WELD.

DIMENSIONS FOR POSITIONING
TRIGGER HOUSING & RECEIVER

ING
SER & SEAR

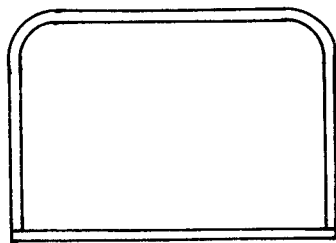
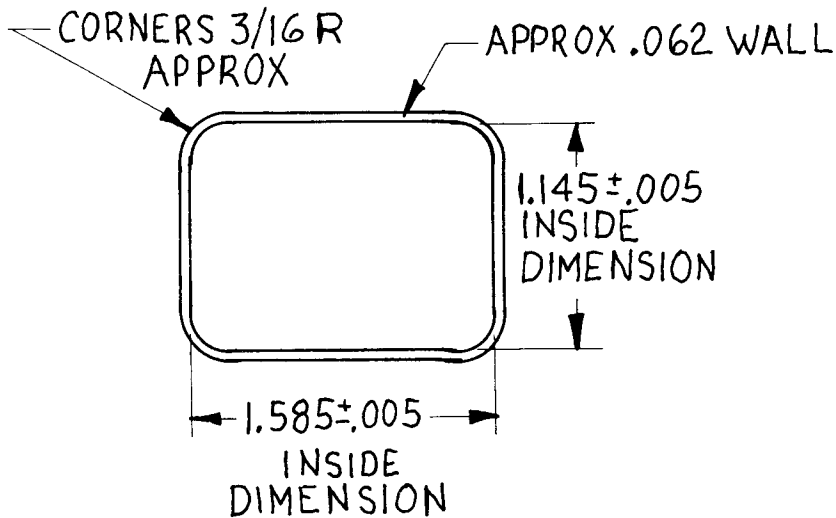
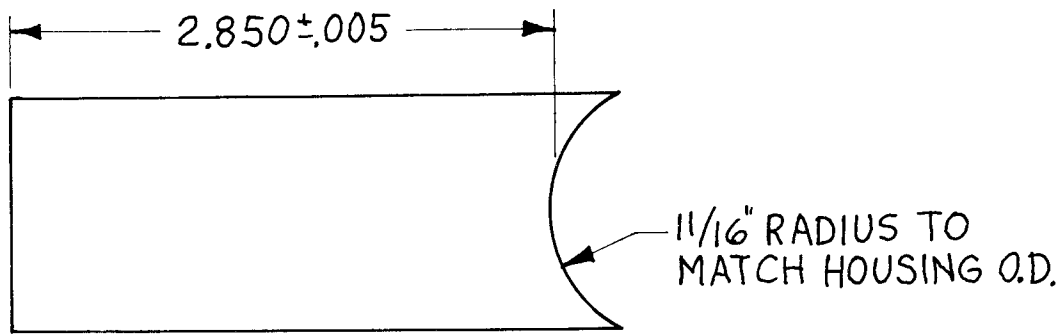
NOTE: SUB-ASSY WITH
FILLET & SPOT WELDS



- WARNING -

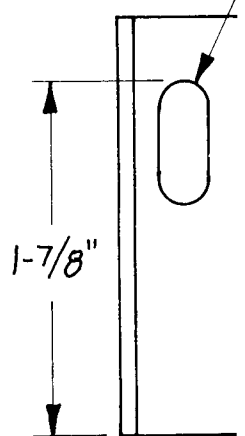
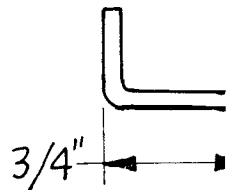
THE ACTUAL CONSTRUCTION
OF THIS WEAPON WOULD BE
IN VIOLATION OF FEDERAL
LAWS.

MAGAZINE HOUSING, MTL.062 SHEET METAL

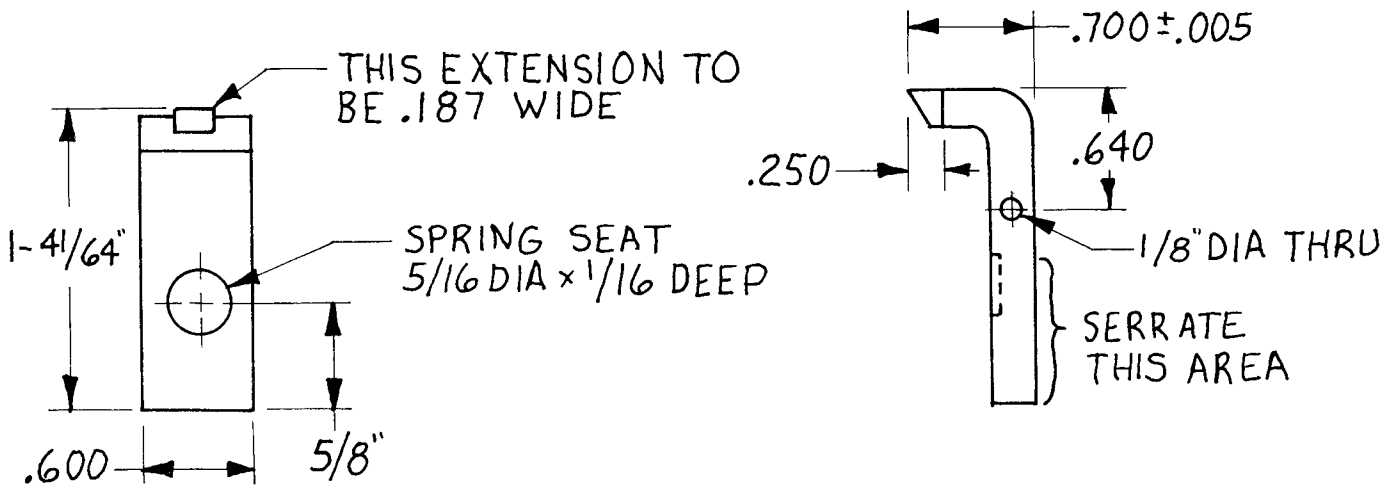


WILL WORK VERY WELL CONSTRUCTED IN THIS MANNER, BY SPOT WELDING PLATE ALONG SIDES (FULL LENGTH)

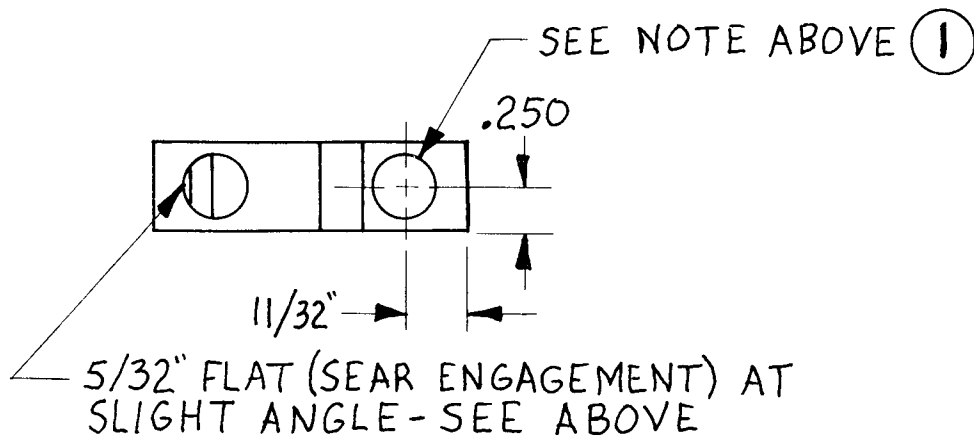
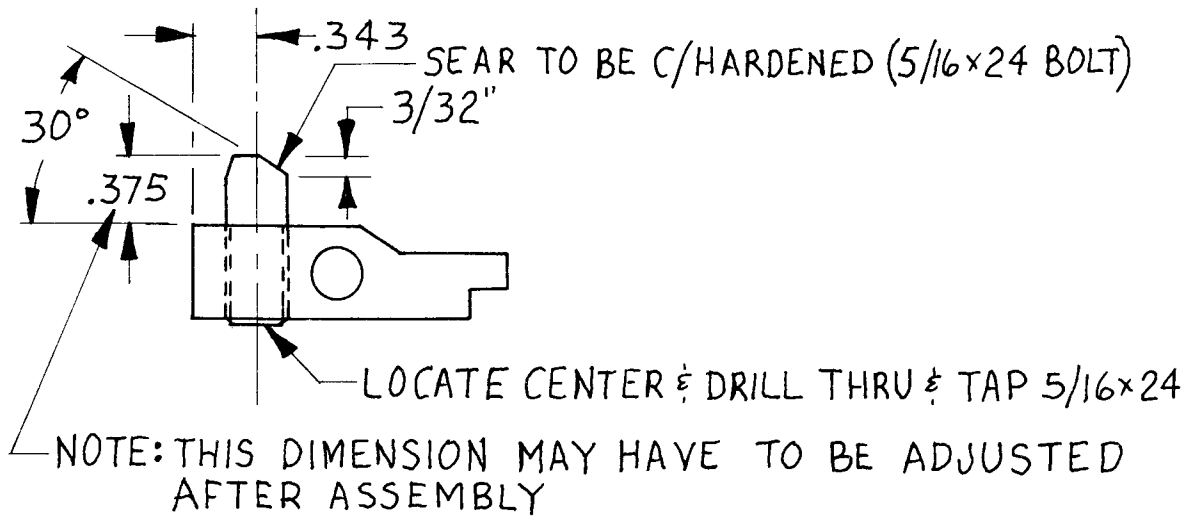
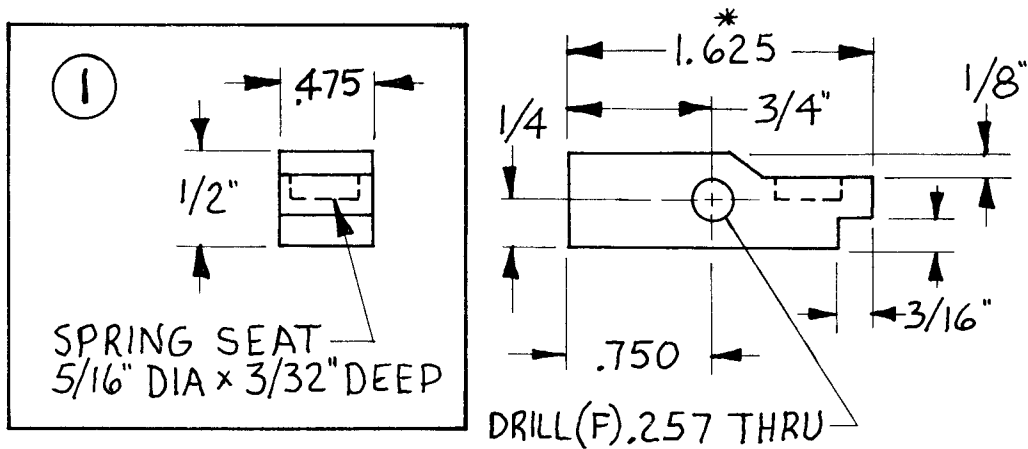
MAG



NOTE: (

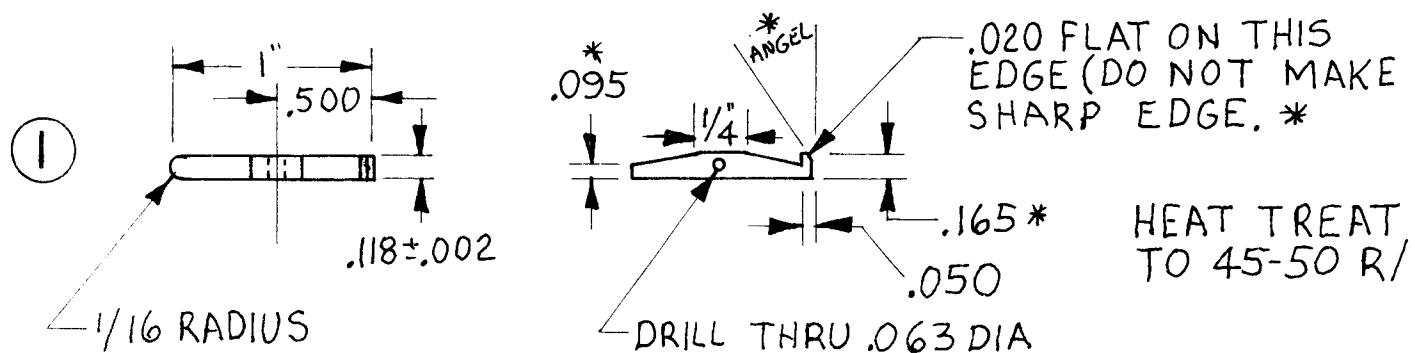


SEAR, SEAR PIVOT PINS & SPRING
STL MILD 1/2" x 1/2"



EJ

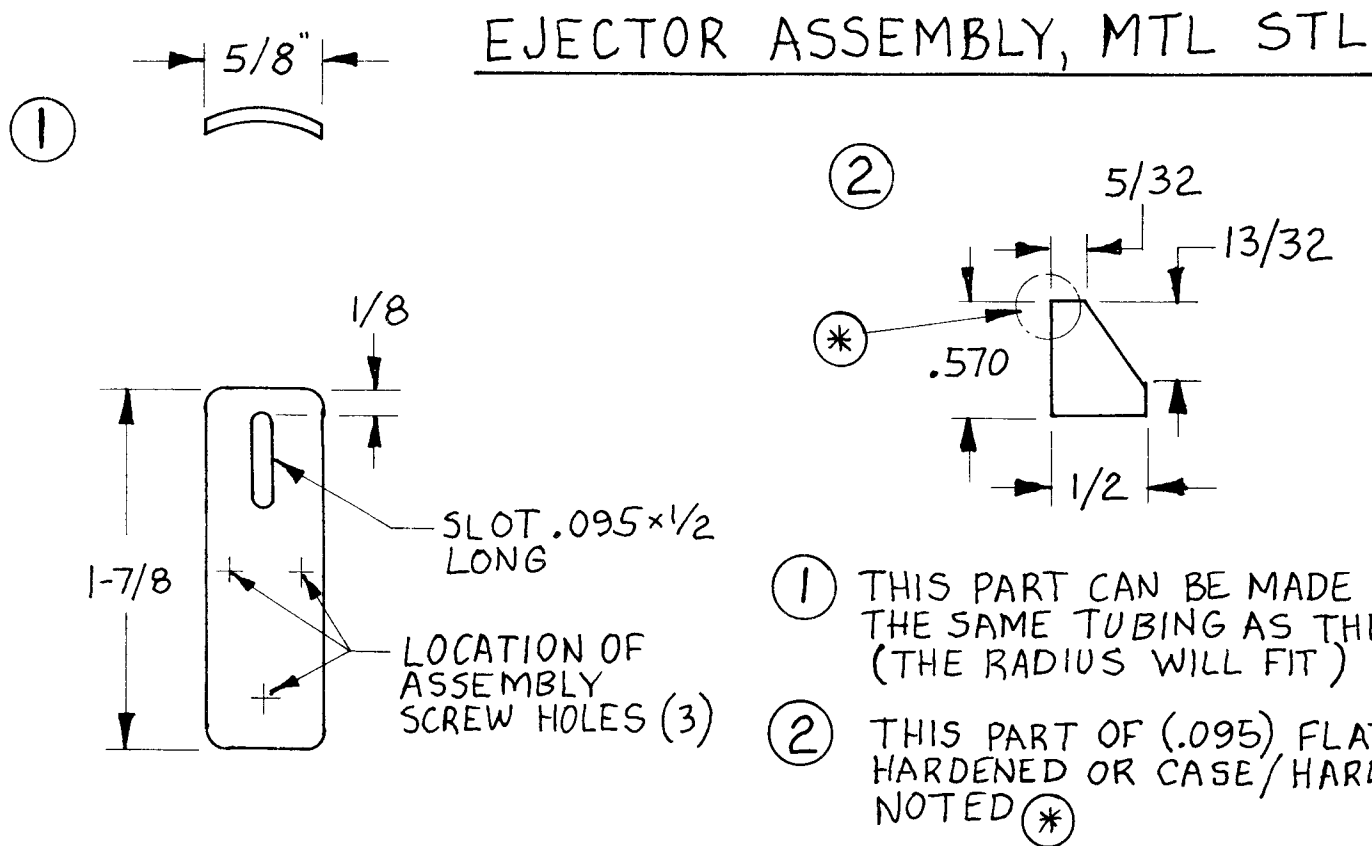
* EXTRACTOR, PIVOT PIN & SPRING (INT'L STEEL)



NOTE: THIS PART MIGHT REQUIRE SOME HAND FITTING - (1/32" - 3/64" LIP TO SNAP INTO EXTRACTOR GROOVE IN CA

② * EXTRACTOR PIN .062 DIA. x .275 LONG (STL)

③ * EXTRACTOR SPRING .110 - .120 DIA. x 1/8" LONG



WIDTH OF FACE

.045 $\begin{matrix} +.015 \\ -.000 \end{matrix}$

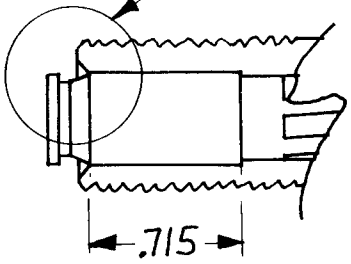
8.250"

1.125

38°

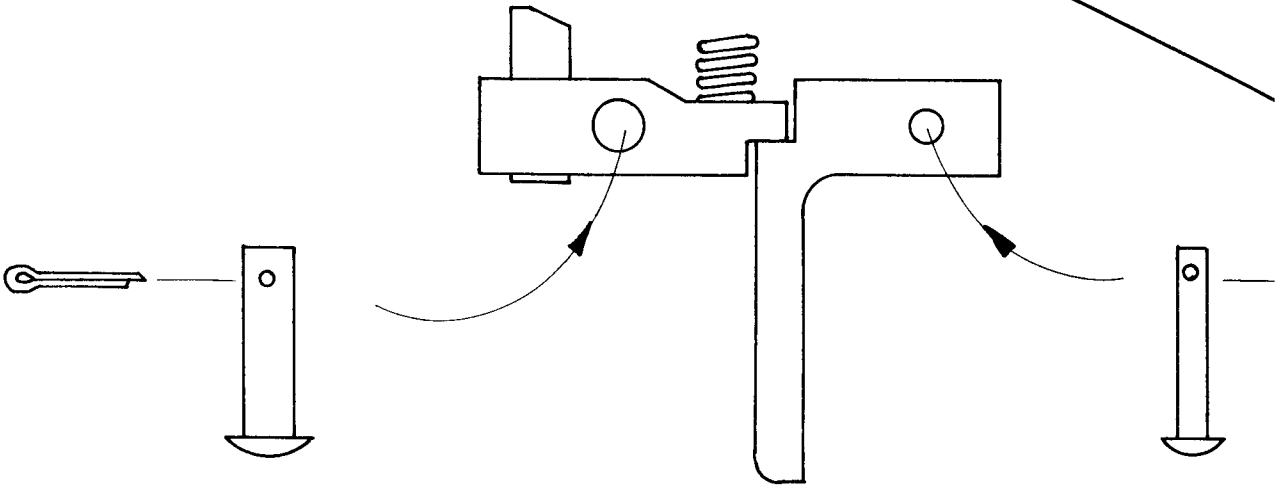
BRL THD 3/4 x 16 TPI

CHAMBER TO THIS DEPTH
.715 FROM 38° LOADING CONE



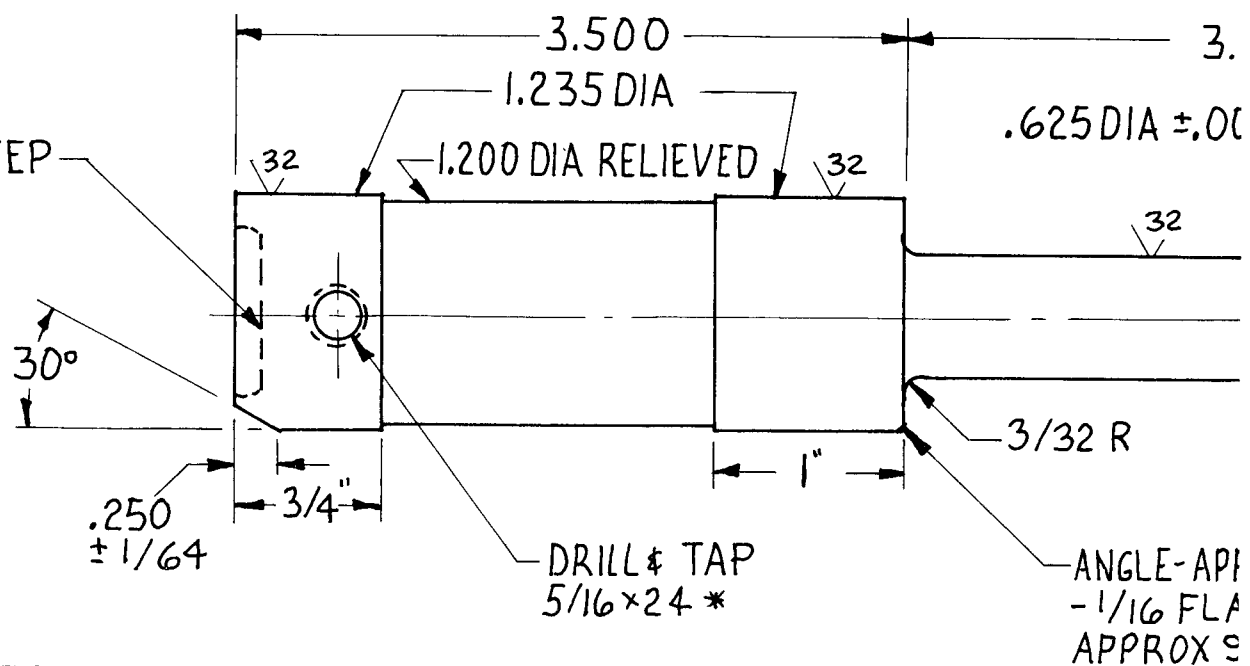
1 1/8" - 1 3/16"

THRUST SI



ASSEMBLY OF TRIGGER & SEAR IN PROPER RELATIC
WITHIN HOUSING

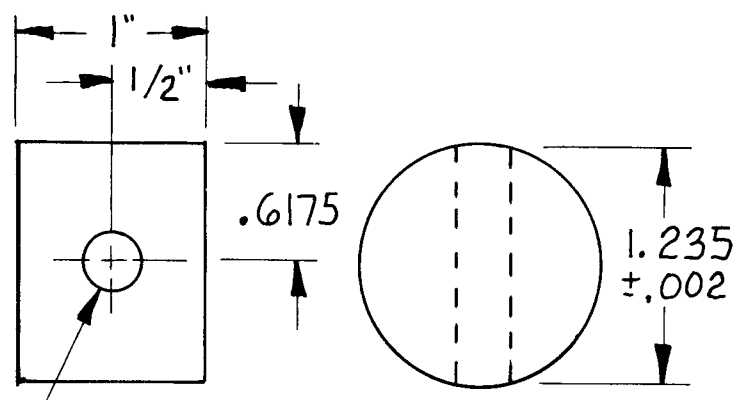
SPRING SEAT
.800 DIA. x .125 DEEP



* NOTE: BREAK ALL SHARP EDGES

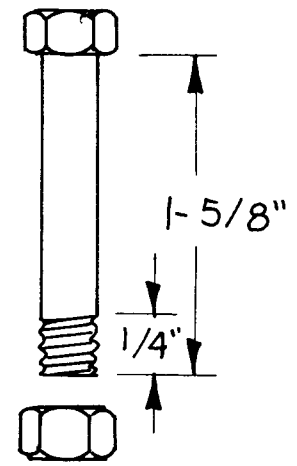
SPRING SEAT
BOTTOM OF
1/8" DIA BY 1
7/8" BACK

BREECH-BLOCK. INTL-HRS/ C/

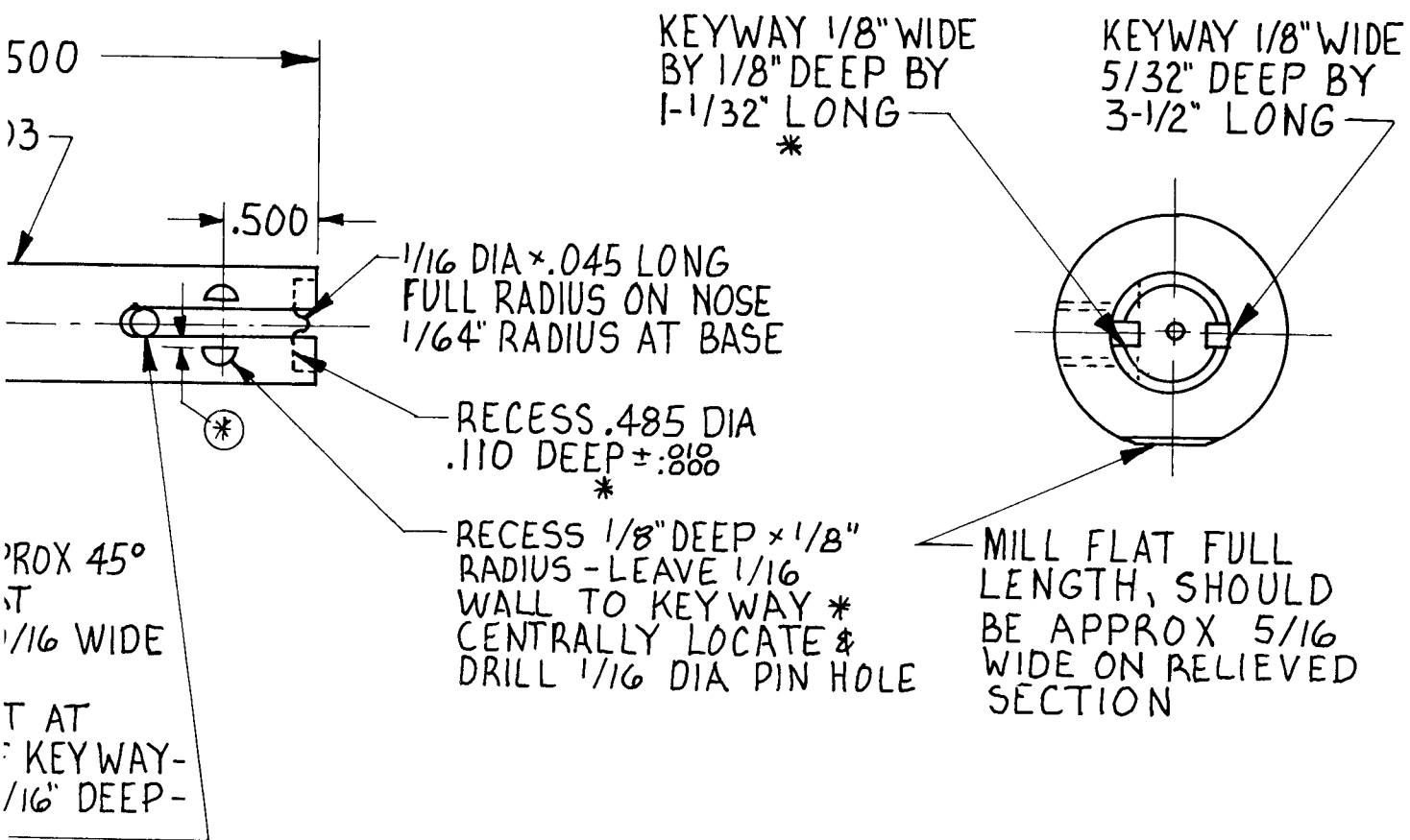


DRILL & LINE REAM WITH
MATING PART IN PLACE
(TUBE) 5/16" DIA THRU

RETAINING PLUG - MTL 6061-T6 ALUM

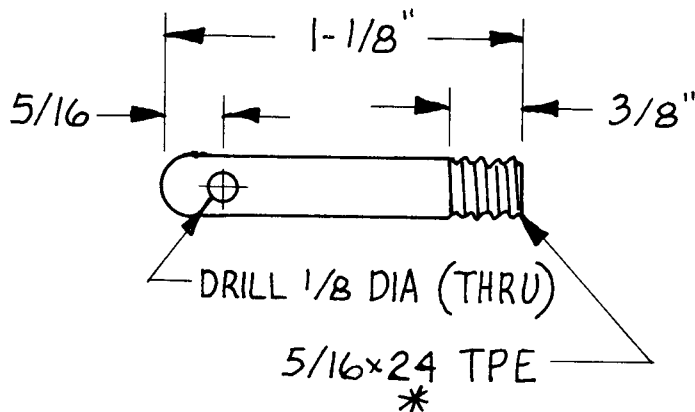


RETAINING PLUG BOLT & NU
5/16 x 18 STL PURCHASED
(HEX HEAD) & NUT - SELF L

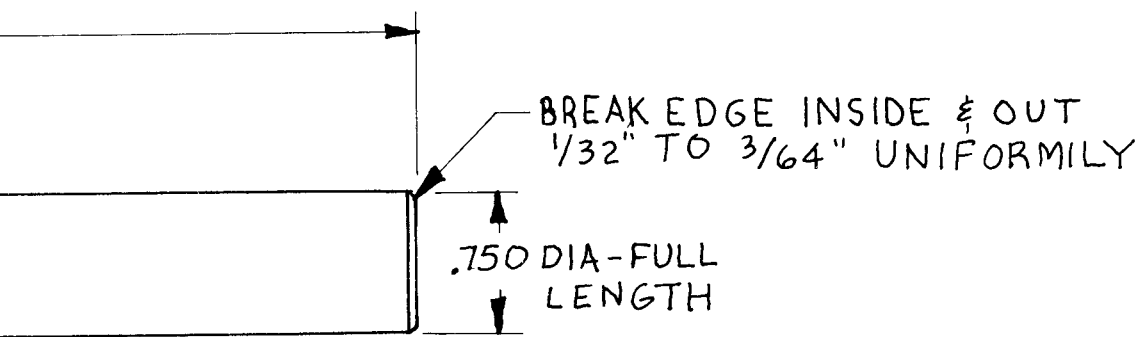


HARDEN .010-.015 DEPTH

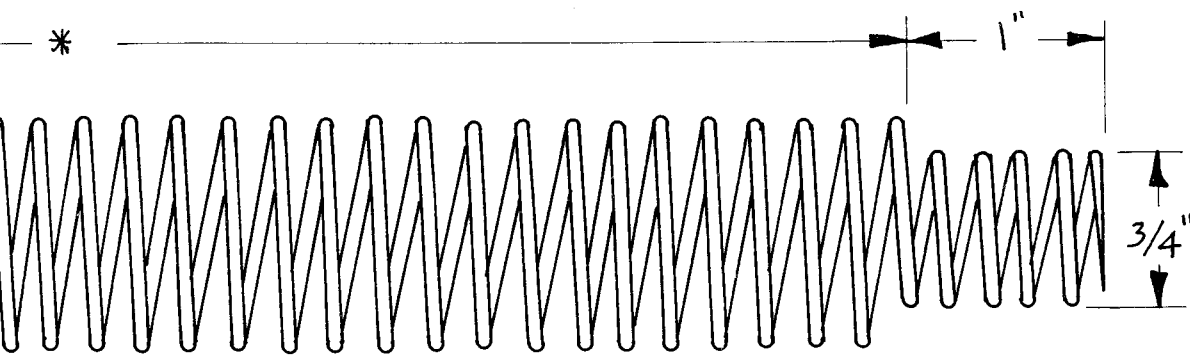
- WARNING -
THE ACTUAL CONSTRUCTION
OF THIS WEAPON WOULD BE
IN VIOLATION OF FEDERAL
LAWS.



COCKING KNOB - MTL 5/16 BOLT - STL

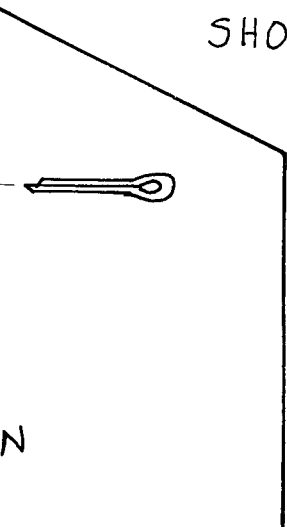


- WARNING -
 THE ACTUAL CONSTRUCTION
 OF THIS WEAPON WOULD BE
 IN VIOLATION OF FEDERAL
 LAWS.

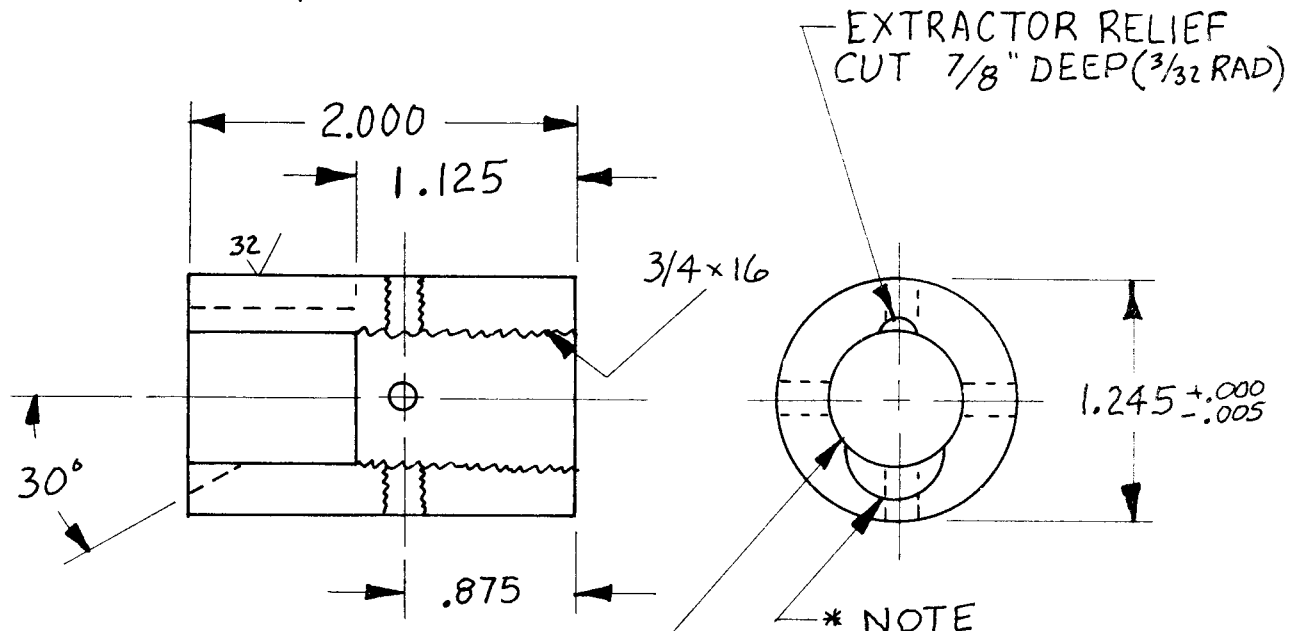


SPRING-STL-NON-FATIGUING (PURCHASED)

* NOTE: LENGTH OF SPRING & TENSION WILL HAVE TO BE
 ADJUSTED-DEPENDING ON TYPE SPRING USED
 SHOULD BE APPROX 9 1/2" LONG



*NOTE: LOADING RAMP CUT
USE 1/2" END MILL



THIS SERIES OF HOLES (4)
LOCATED 90° APART - THE
ONE LOCATED 180° FROM THE
30° CUT, IS THE BARREL LOCK
SCREW AND HAS TO BREAK THRU.
(4) DET #10-32

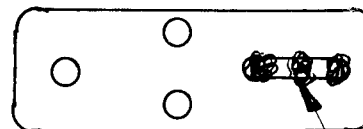
* NOTE: DRILL THRU WITH $23/32$ "
THREADED SECTION WILL
NOT HAVE FULL DEPTH
OF THREAD - BUT SUFFICIENT

LOADING RAMP & BARREL ALIGNMENT PLUG - MTL 6061-T6 ALUM

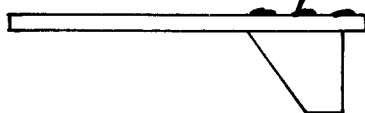
- WARNING -

THE ACTUAL CONSTRUCTION
OF THIS WEAPON WOULD BE
IN VIOLATION OF FEDERAL
LAWS.

POSITION IN THIS MANNER



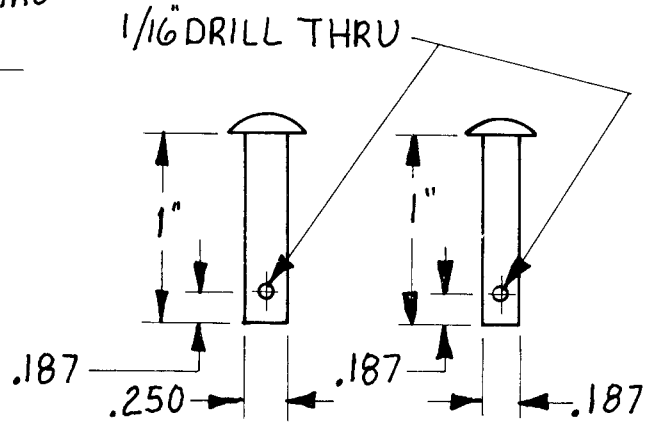
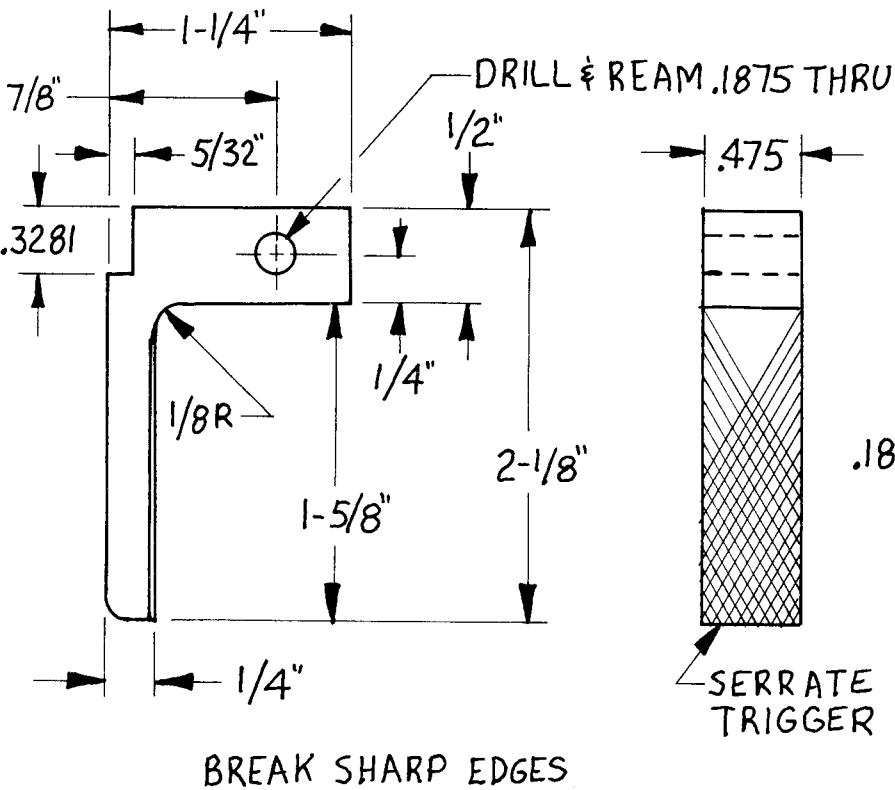
SPOT WELD IN PLACE



OM
HOUSING

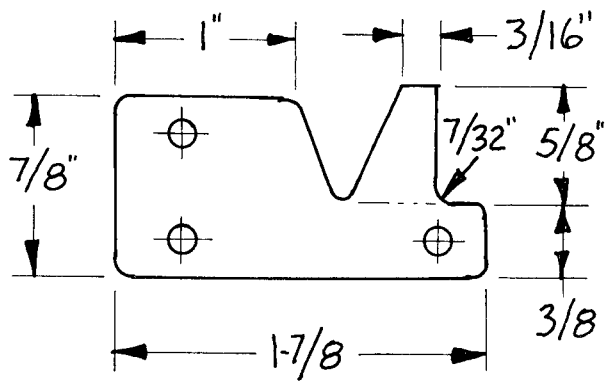
STOCK
VED AS

TRIGGER-MTL-ALUM 6061 FLAT SLK



- (2) COTTER PINS 1/2" x 1/16" DIA.
- (1) SPRING PURCHASED 15/64" DIA x 5/8" LONG

ECTOR - 1/16" THICK SHEET METAL. CAN BE CUT FROM SAME MATERIAL AS HOUSING, AS RADIUS MATCHES



- WARNING -

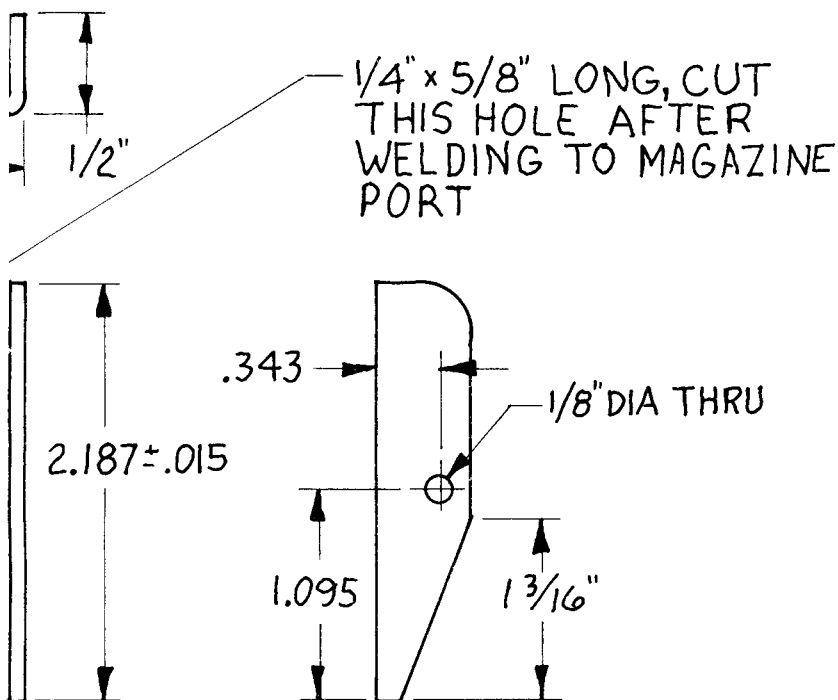
THE ACTUAL CONSTRUCTION OF THIS WEAPON WOULD BE IN VIOLATION OF FEDERAL LAWS.



BEND DOWN ALONG DOTTED LINE 90°

3) CLEARANCE HOLES FOR 6-32 SCREWS, APPROX IN THE ABOVE LOCATIONS. SCREW LENGTH FROM HEAD 1/8" LONG.

MAGAZINE RELEASE, STL.



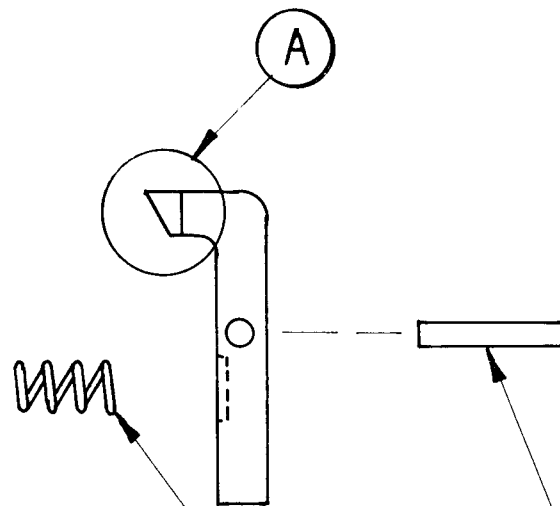
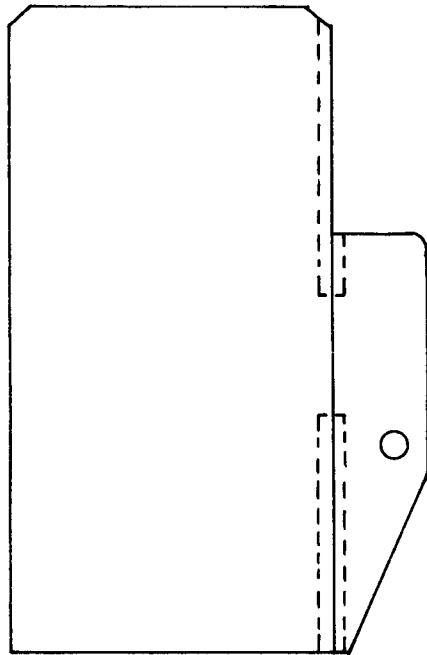
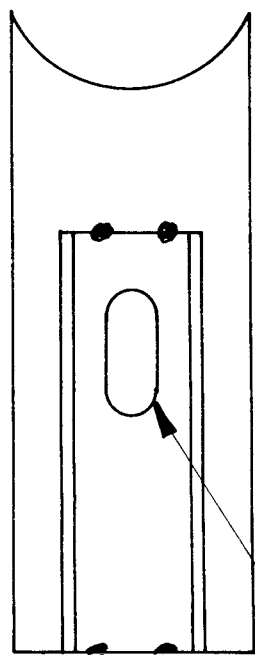
- WARNING -

THE ACTUAL CONSTRUCTION OF THIS WEAPON WOULD BE IN VIOLATION OF FEDERAL LAWS.

ASSEMBLY OF MAGAZINE HOUSING & MAGAZINE RELEASE

CAN BE MADE FROM 3/4 x 3/4 SQ. TUBING

(A) IT PROBABLY WILL BE NECESSARY TO DO SOME ADJUSTING OR HANDFITTING HERE TO GET THE PROPER FIT, AND AMOUNT OF ENGAGEMENT - BUT ONLY AFTER MAGAZINE HOUSING HAS BEEN WELDED TO HOUSING.

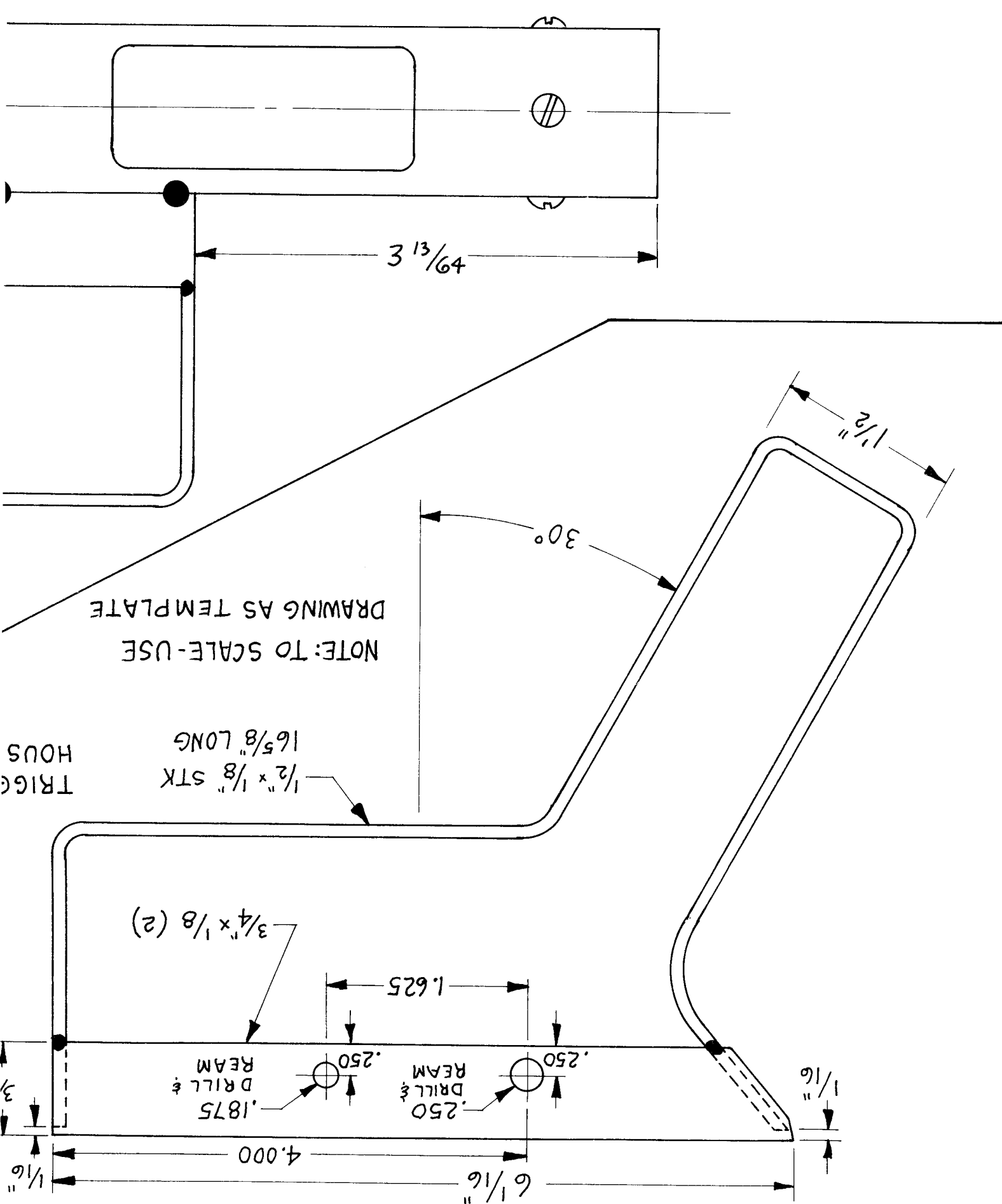


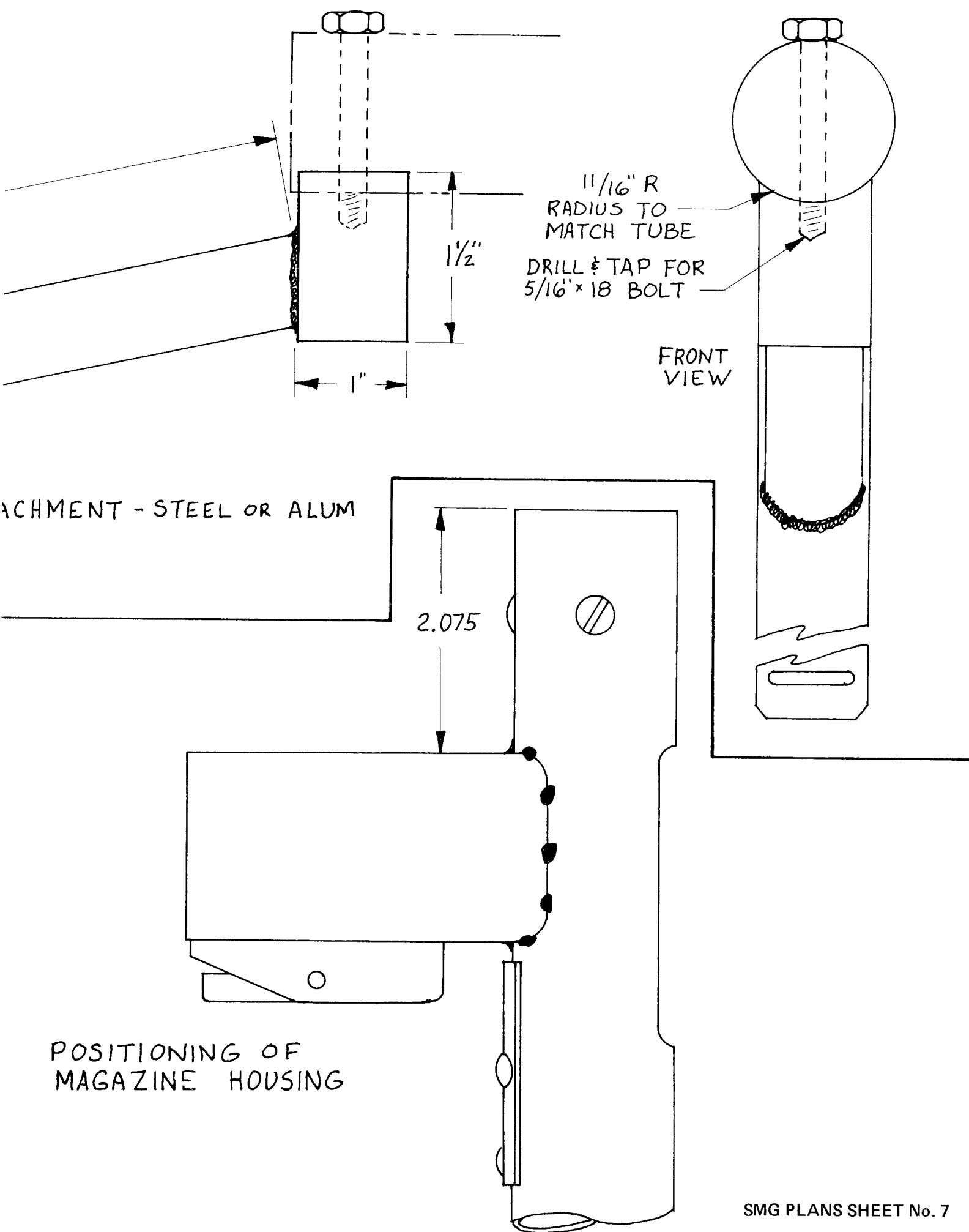
SPOT WELD

SPRING DIA .281 ± .010

AFTER SPOT WELDING THESE (2) PARTS TOGETHER, BREAK THRU BOTH PARTS.

3/4" x .125 DIA PIN PEENED OR CENTER PUNCHED IN POSITION (BOTH ENDS) SMG PLANS SHEET No. 5





SILENCERS

The advantages of a gun that makes no noise when fired are obvious. In underground warfare, the availability of such weapons would be invaluable to individuals or small combat teams forced to operate against a superior enemy force.

Although the manufacture or possession of a silencer is now outlawed by federal statutes, the time may come when citizens may profit from a knowledge of how to construct such devices.

There are two basic types of silencers. One type includes an outer cylinder within which are placed a number of partitions shaped like washers with a hole in the middle of each one. A very simple silencer of this type is shown in Figure No. 1.

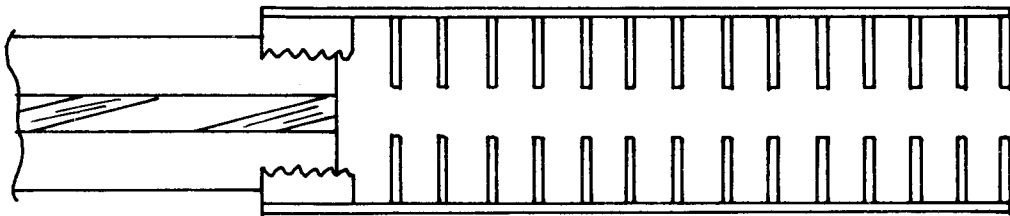


Fig 1

The second type is made with a solid outer cylinder which has a smaller cylinder or tube running down through its center. The center tube has a number of holes in it, and the space between the inner tube and the outer cylinder is filled with some material to absorb and deaden the sound waves. A simple silencer of this type is shown in Figure No. 2.

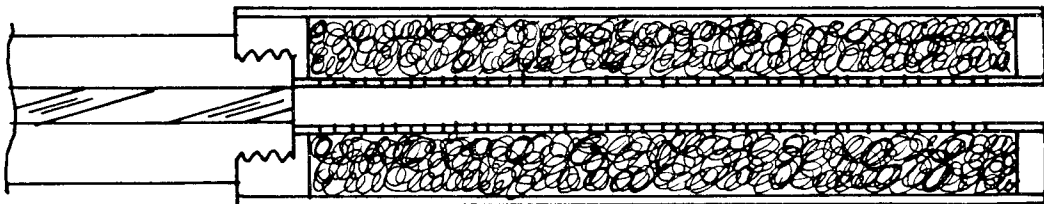


Fig 2

Throughout this discussion we will refer to these basic types as Type No. 1 and Type No. 2. The objective of both types is to prevent the sudden discharge of the hot gases from the barrel and to hold them long enough for the pressure to be reduced and the gas slowly and silently passed out of the silencer.

Various modifications have been made to improve the performance of Type No. 1 silencers. In the "maxim" silencer, the cross partitions are cut or bent in such a manner as to cause the gas to swirl around inside the outer cylinder before it escapes out the front end.

In some Type No. 1 silencers, the partitions are placed in various ways to improve performance. Figure No. 3 shows a silencer which contains three parts. The center section is an expansion chamber into which the hot gas first flows and its pressure is considerably reduced. The rear section contains a series of "back baffles." These are washer-shaped discs between the barrel of the gun and the outer cylinder of the silencer. These baffles have holes through them which allow the gas to escape backward as well as forward from the expansion chamber. The forward part of the silencer is a fairly routine type of maxim silencer.

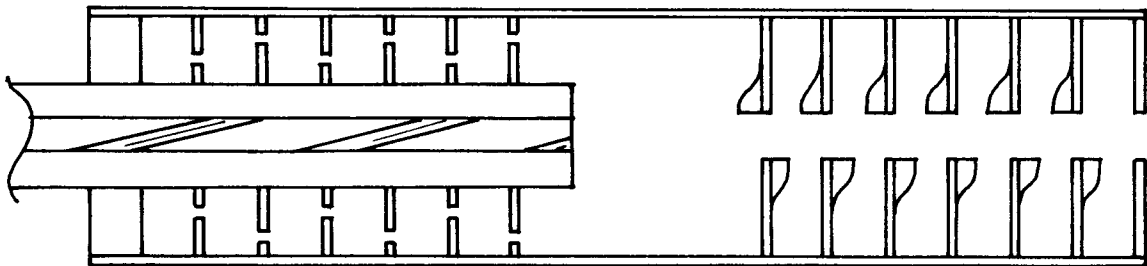


Fig 3

In the construction of any silencer, consideration should be given to the purpose for which it will be used and the degree of silence required. Complete silence can be approached only under ideal circumstances. These include a gun that has a minimum number of moving parts and a minimum amount of escaping gas. Also required for nearly complete silence is a bullet that does not travel faster than the speed of sound. From a practical point of view, the amount of powder charge is limited as, otherwise, the amount of escaping gas is so great that the size of silencer required becomes impractical.

Assuming that the same cartridge is fired in both, a rifle will be generally easier to silence than a pistol. This is due to the fact that the gas has some opportunity to reach a lower pressure while passing through a long barrel than if it was suddenly released at the end of a short barrel.

When attached to a .22 rifle, the Parker-Hale "sound moderator" is quite effective. This is a cylinder about seven inches long and one inch in diameter. It does not, however, completely silence the report of the gun. A three part silencer, such as that shown in Figure No. 3, constructed of one and one-half inch aluminum tubing about 15 inches long, will give practically complete silence when attached to a bolt-action .22 rifle.

It is often said that a semi-automatic pistol or rifle cannot be used because of the noise of the bolt sliding back and then moving forward to seat the next round. Naturally, this does create some noise, but in actual practice it is very small compared with the muzzle blast. When a Browning semi-automatic .22 rifle and a bolt-action .22 were both equipped with a Parker-Hale silencer, there was no distinguishable difference in the amount of sound when fired outdoors on a quiet night.

It is also stated that a revolver cannot be effectively silenced due to the escaping gas between the cylinder and the barrel. This, too, depends on the gun. A tight fitting .22 revolver can be silenced to such a degree that the sound of its discharge will not be noticed against the background noise of ordinary street traffic.

When the bullet fired travels over the speed of sound (1100 feet per second) it sets up shock waves that will bounce off any object they come close to and create a noticeable "crack." This does mean that it is useless to silence a gun firing a high speed bullet. Even though you cannot get away from this shock wave noise, this is minor compared with the muzzle blast. A good silencer on a .222 Remington or a .243 Winchester will not keep a person a few feet away from hearing it, but it might keep a squad of enemy soldiers from hearing it a hundred yards away. If the enemy soldiers were talking among themselves, if the wind was blowing through the trees, or an automobile was passing, then they might be one hundred feet away and still not hear it.

To "silence" a high powered rifle requires a large, double-action silencer like that shown in Figure No. 4. The outer diameter may be two inches for a .222, or up to four inches for a 30-06. The length may vary from 12 to 18 inches, depending on the size of the rifle cartridge.

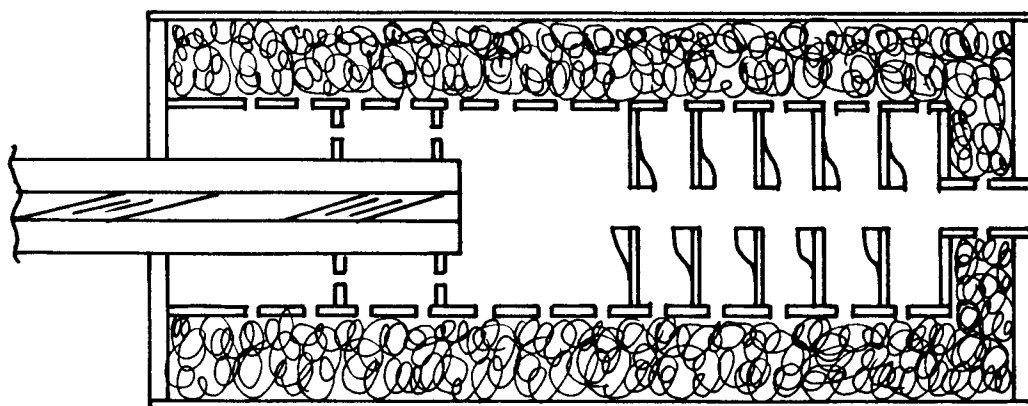


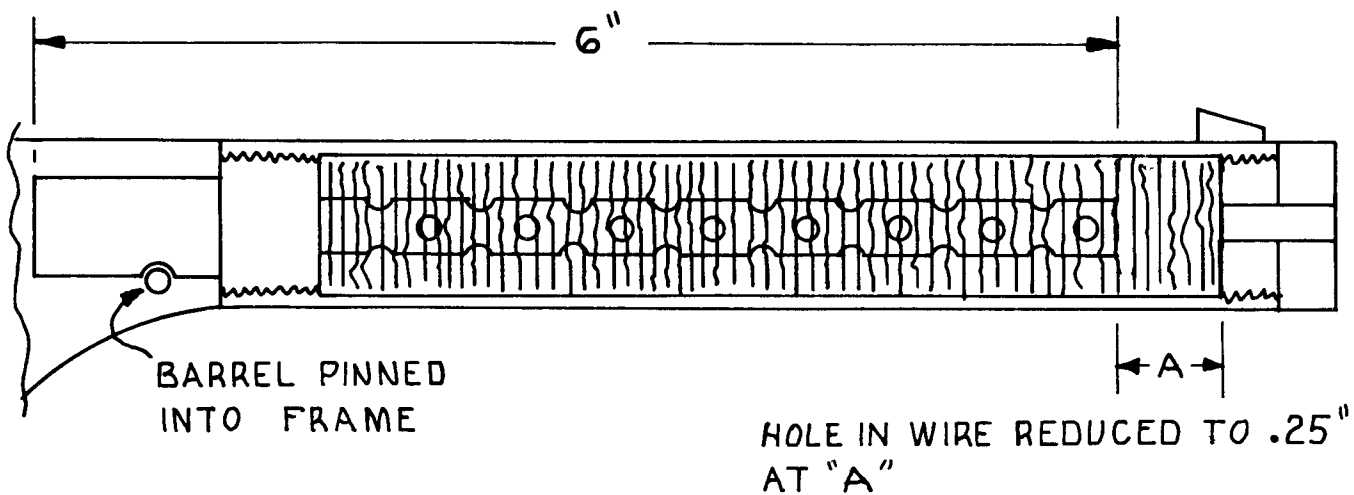
Fig 4

When it comes to hand guns, automatics are much easier to silence than revolvers. This is especially true with anything more powerful than a .22.

A Type No. 1 silencer, one inch in diameter and six inches long, can be quite effective when attached to the end of a .22 semi-automatic. The muzzle may be turned down on a lathe and threaded so that it will screw into the back of a silencer. A good, tight fit is necessary both for silence and accuracy. For maximum efficiency the center holes in the baffles should be very little larger than the diameter of the bullet. This means that the holes must be perfectly lined up with the bore, and the silencer must not wobble around on the end of the barrel. The .22 Ruger semi-automatic pistol seems to work especially well with this type of silencer, and its recoil mechanism is comparatively quiet.

During World War II the OSS developed a silencer which was used with a high standard, military model, semi-automatic, .22 pistol. In the construction of these guns, the barrel of the pistol itself was turned down on a lathe to produce the inner tube of a Type No. 2 silencer. Sixteen small holes were then drilled through the barrel as shown in Figure No. 5. The outer tube was approximately one inch inside diameter. The space between the two cylinders was filled with discs cut out of screen wire and packed as close together as possible.

In making a silencer of this type, it is important that the holes drilled through the barrel do not leave burrs inside the bore. Later experiments indicate that it may be desirable to eliminate the holes shown in the first two inches of the barrel. The discs can be cut out of copper screen by using a sharpened piece of pipe as a circular chisel while laying the screen on a block of lead. An alternate arrangement is to use discs of screen wire in the forward one or two inches of the silencer while packing the back space full of steel wool or rock wool insulation.



SPECIFICATIONS:

- BARREL: 6" long, straight diameter.
- SLEEVE: 1" longer than barrel (from frame).
- HOLES: No. 32 drill size in four lines of eight holes.

In actual construction wire discs are pressed very tightly together.

Fig 5

To silence a larger caliber automatic we can use the Army .45 as a typical example. Start out by obtaining an extra .45 barrel. The "lands" are reamed out to produce a smooth bore having a diameter equal to the diameter of the original grooves. The back half inch of this barrel is then turned down on a lathe so that the wall thickness of the barrel in this area is about half of its original thickness. This turned down portion is then threaded. Next, ream out about 5/8 inch of the front part of the bore of the barrel in the gun. Tap this portion of the original barrel so that the threaded portion of the new barrel can be screwed into it. This creates a convenient extension to the original barrel. This extension can then be drilled full of holes to serve as the inner cylinder of a Type 2 silencer. The outer cylinder will have to be about four inches in diameter. The space between them can be packed full of steel wool or rock wool insulation. Some types of glass wool insulation work very well but other types are brittle and quickly break up under the impact of the discharge gases. Obviously a .45 with this size of silencer cannot be aimed with its original sights. It must be fired by a "point shooting" technique or new sights can be attached to the silencer itself. Steel wool has the disadvantage of rusting out after exposure to powder gases.

It is surprising how effective a Type 2 silencer can be when used with a submachine gun. The 9mm Schmeisser works best closely followed by the 9mm Sten gun. The .45 caliber Thompson submachine gun can be silenced better than the M-3; both have a muzzle velocity around 950 feet per second. In the first situation the noise of the bullet limits the effectiveness of a silencer, and in the latter case the noise of the gun's action is the limiting factor.

In actual practice, all of these submachine guns can be silenced to a remarkable degree by a Type 2 silencer having an outer diameter of two and one-half inches. The inner cylinder can be brass, aluminum or steel tubing having an inside diameter from one-half to 3/4 inch. The half inch will be more effective, but the 3/4 inch is less critical in its alignment. This inner tube should be drilled so full of holes that it is almost a sieve. This inner tube can be wrapped with ordinary rock wool insulation such as comes in long strips to insulate houses. As much as possible should be wrapped around the inner tube so that it can be squeezed down into the outer tube.

A suitable metal disc or washer will be required to close the space between these tubes at both ends. The spacer on the back can be threaded or slotted to hold the silencer firmly onto the barrel of the submachine gun. A system of back baffles running back around part of the barrel will also improve the efficiency of the silencer and help to hold it in proper alignment.

CONSTRUCTION

The possession of proper tools will obviously make the construction of any mechanical device a great deal easier. A lathe with a threading attachment is very helpful in turning down the gun barrel and in making a threaded connection to the silencer. The disc put into the front end of the silencer can be threaded, welded, or silver soldered. With sufficient patience and ingenuity, a silencer can be made with little more than a hand drill, hack saw, and file.

Any silencer used on a high powered rifle must be made of steel and be well constructed to avoid rupture and possible injury to the person shooting the gun. Silencers of the type described for submachine guns are much less critical, but good construction adds efficiency.

For use with a .22 pistol or rifle, a silencer can be made with practically no tools at all. Here is one way to make a surprisingly effective silencer: Start with a strip of screen wire six inches wide and several feet long. Wrap one end around an ordinary lead pencil. Continue to wrap the screen wire around the pencil until the roll is the same diameter as the outer diameter of your gun barrel. Now switch to a strip of screen wire about eight inches wide. Keep one edge flush with the front of your original roll. Let the other edge extend back two inches around the rifle barrel. Each time the screen wire is wrapped over the front sight, cut a little hole in the wire, so that the sight extends through it, and press that layer of screen wire down tightly against the layer beneath it. Continue wrapping four or five turns until the cylinder of screen wire is firmly held to the gun barrel. Cut off any excess length of the screen wire strip and then wrap the outer part of the screen wire roll with two layers of ordinary electrical tape or cloth adhesive tape. Let the tape extend back an additional two inches on the bare gun barrel to hold the "silencer" in place.

A simple Type 1 silencer can be made by simply punching holes through about 20 pop bottle caps and forcing them into a piece of aluminum tubing or electrical conduit having a suitable inside diameter. One end of the tubing can be slotted with a hack saw and a notch filed to one side of the slot. This can then be slipped over the front end of the gun barrel and held in place by twisting the tube so that it catches behind the front sight. If the gun barrel is too small to fit snugly, it can be wrapped with electrical tape to bring it up to a suitable diameter. When making these crude types of silencers, it is best to leave the hole through the center plenty large to prevent the bullet from striking the silencer if it becomes tipped to one side.

SIGHTS

If a .22 rifle or pistol is purchased, with the idea of ultimately attaching a silencer to it, then special attention should be given to the sights. Choose a make and model having both a front and rear sight extending as high as possible. This will give you room to put a one inch silencer on the muzzle and still have a good sight picture.

If the silencer is solidly attached to the gun, then it is possible to fix new sights to the silencer itself.

Telescopic sights are often helpful. Some companies make mounting rings that hold the telescopic sight well above the barrel of the rifle. This may be sufficient for a silencer that is about two and one-half inches in diameter. Special scope mounts may be purchased or constructed for silencers having a larger diameter.

ACCURACY

The attachment of a silencer will change the accuracy and the sight picture of the gun. For example, a rifle might put five shots in a one-inch circle at the point of aim at 100 yards. When a silencer is attached, this same gun might put five shots in a three inch circle. Furthermore, this three inch circle might be a foot high (or low) and six inches to the left (or a foot to the right). By sighting in the gun again, with the silencer attached, it will be possible to shoot a new group centered around the point at which the gun is aimed.

It is important to understand the distinction between these two different effects: (1) The accuracy is less with the silencer attached, and (2) The proper sight setting will be different depending on whether the silencer is on or off.

AMMUNITION

High speed .22 long rifle ammunition travels at slightly over the speed of sound. Target ammunition in the same caliber travels at slightly less than the speed of sound. Thus, when using a .22 rifle or pistol, the silencer will be much more effective if target ammunition is used. The noise of a .22 short is just as great as that of a .22 long rifle. There are only a few pistol cartridges that travel above the speed of sound. With these, the only problem is to contain the large amount of gas expended at the muzzle blast.

A lot can be gained with experimentation. Silencers of slightly different size or shape may vary considerably in their effectiveness when attached to a certain gun. A different gun on the same silencer may make more or less noise, even if the cartridge fired is the same. With some gun-silencer combinations a further reduction of noise can be obtained by using hand loaded ammunition. With the .30 caliber M-1 carbine, the regular 110 grain bullet can be replaced with a 180 grain, or a 220 grain round-nosed bullet. The powder charge can then be reduced by a sufficient amount to achieve proper action of the recoil mechanism.

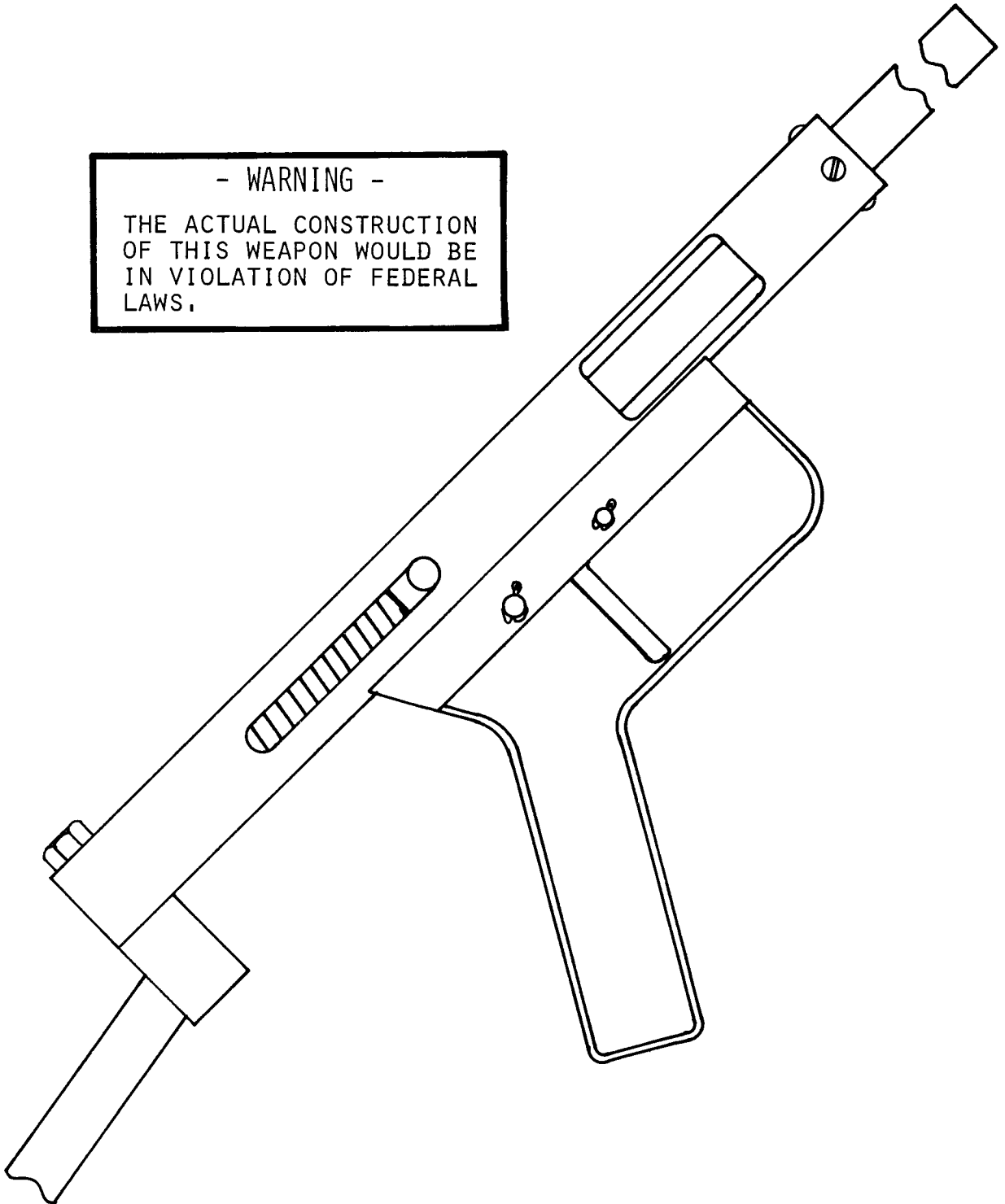
- WARNING -

THESE ARTICLES ARE PRESENTED FOR ACADEMIC STUDY ONLY. THE ACTUAL CONSTRUCTION OF THE DEVICES AND MATERIALS DESCRIBED IN THIS BOOK WOULD BE DANGEROUS, EVEN FOR AN EXPERIENCED CHEMIST. ALSO, THE CONSTRUCTION OR POSSESSION OF MANY OF THESE DEVICES WOULD BE IN VIOLATION OF VARIOUS FEDERAL, STATE, AND LOCAL LAWS.

Homemade SMG

- WARNING -

THE ACTUAL CONSTRUCTION
OF THIS WEAPON WOULD BE
IN VIOLATION OF FEDERAL
LAWS.



The attached plans have been faithfully reproduced from originals. The engineering principles and, also, the drafting techniques may leave a little to be desired. However, before we become too critical, let's realize that this was not the design effort of a large corporation funded by a lot of tax payer's money.

Instead, it was the work of some patriotically oriented individual who worked under less than desirable conditions. The drawings thus produced were a humble effort to share this design with others.

Again, the reader is warned that the actual construction, or even the possession, of any part of this weapon would be in violation of federal firearms laws and, in some locations, even state and local laws.

Below, the original bill of materials is reproduced together with the estimated cost of each part. The obsolete prices show that inflation affects everyone.

MATERIAL	COST
1. (1) brl. cal. .45 blank .750 dia.	\$2.95
2. (1) 16½" seamless tubing 1.250 I.D./ .062 wall (@ \$1.25 ft.) — Approximately . . .	\$1.55
3. (2) Aluminum bar "6061 or 2024 -1¼ diameter (3" needed per) @50c per lb.25¢
4. (1) ½" wide x 1/8" thick iron strap @ \$1.25 per 20' — Approximately.8¢
5. (2) ¾" wide x 1/8 thick iron strap @ \$1.30 per 20' — Approximately8¢
6. (1) Steel bar (C/R or H.S.T.) 6½' pr25¢
7. (1) Steel Spring (diameter 1-1/8 to 1-3/16 x 10" long50¢
8. (1) 5/16" x 18" bolt (1-3/8" long) & nut5¢
9. (1) 10 x 32 Allen set screw ¼" long5¢
10. (3) 10 x 32 ovalhead screw ¼" long3¢
11. (2) Pins ¼" diameter & 3/16" diameter (1" long).5¢
12. (2) Cotter pins 1/16" diameter ½" long @15c for 40 pins.1¢
13. (1) 1/16" thick sheet-metal 3¼" x 6".10¢
14. (1) 5/16" x 24" bolt 1½" long3¢
15. (1) 5/8" wide x ¼" thick Steel Cold Roll or Hot Roll Steel3¢

16. (1) Spring 3/8" diameter x 3/8" long	2c
17. (1) pin, 3/4" long x 1/8" diameter (Steel drill rod)	1c
18. (1) 3/4" x 3/4" Square tubing (Steel with .062 wall) 2" per	3c
19. (1) Wood 1 1/2" wide x 3/4" thick x 5" long, preferably hardwood.	5c
20. (2) Wood screws 1/8" diameter x 1/2" long	2c
21. (1) Front sight; make or buy.	—
22. (1) Rear sight; make or buy	—
TOTAL	\$6.14

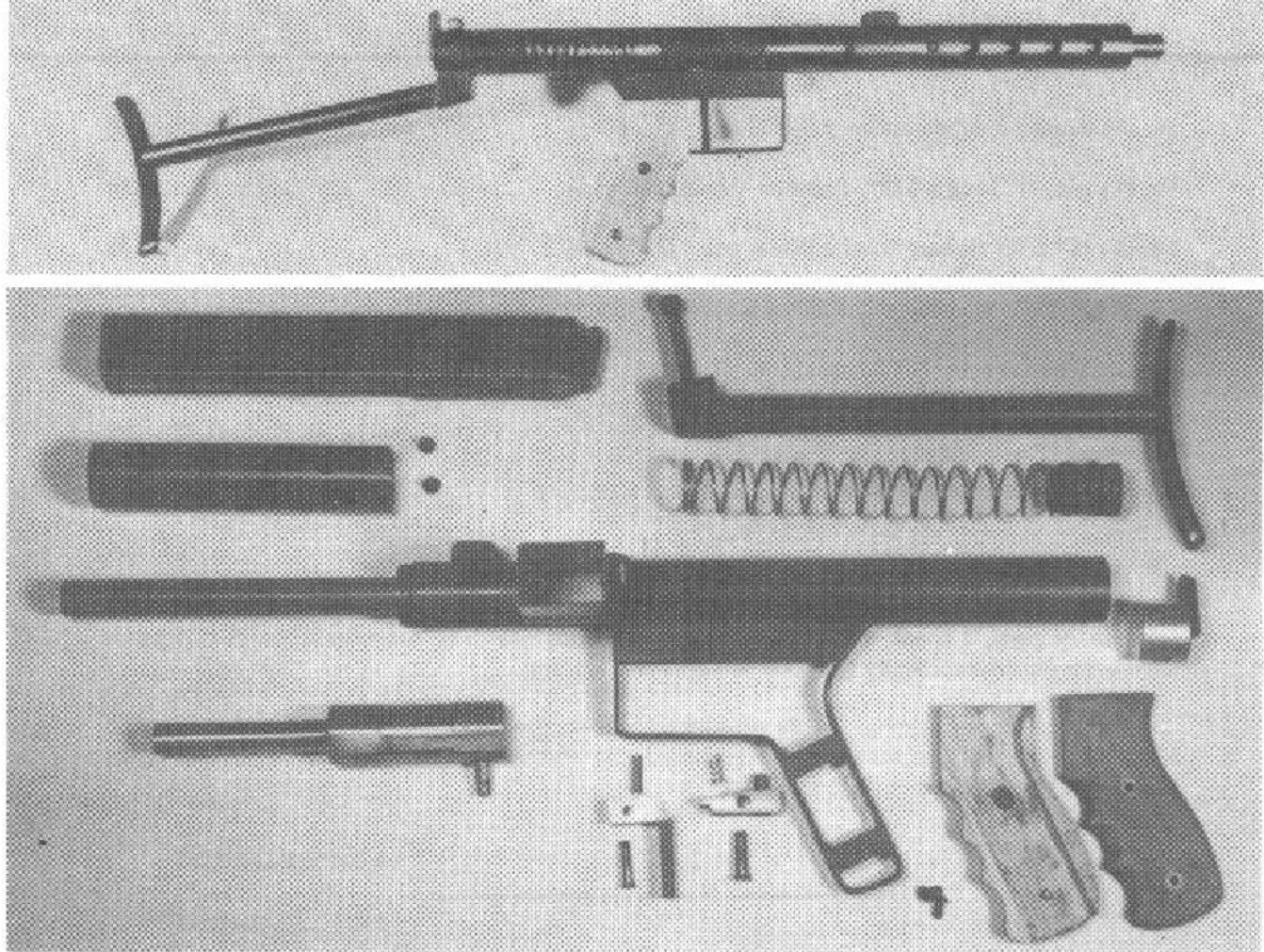
The original 7 sheet set of plans was drawn full size. The reproductions in this book have been photographically reduced to allow for binding.

NOTE — These originals made no mention as to the magazine used. It appears that the M1A3 (greasegun) magazine was considered. At the time this SMG was designed, these magazines were both plentiful and cheap.



- WARNING -

THE ACTUAL CONSTRUCTION
OF THIS WEAPON WOULD BE
IN VIOLATION OF FEDERAL
LAWS.



A finished Minuteman SMG made by a licensed Class II manufacturer is illustrated above. This gun was featured in the ".45 Minuteman SMG" article which appeared in the September 1984 issue (third issue) of *FIREPOWER, The Magazine Of Exotic Weaponry*. In addition to including a test report on the finished gun's performance, the article describes and illustrates some of the changes

the manufacturer made to improve upon the original design illustrated herein. Individual copies of issue No. 3 of *FIREPOWER* may be ordered for \$3.95 each postpaid. Mail orders to:

FIREPOWER Magazine
 P.O. Box 397
 Cornville, AZ 86325

DEPARTMENT OF THE TREASURY — BUREAU OF ALCOHOL, TOBACCO AND FIREARMS
APPLICATION TO MAKE AND REGISTER A FIREARM

DETACH THIS SHEET BEFORE COMPLETING FORM
INSTRUCTIONS

1. DEFINITIONS.

a. **FIREARM.** The term "firearm" means: (1) a shotgun having a barrel or barrels of less than 18 inches in length; (2) a weapon made from a shotgun if such weapon as modified has an overall length of less than 26 inches or a barrel or barrels of less than 18 inches in length; (3) a rifle having a barrel or barrels of less than 16 inches in length; (4) a weapon made from a rifle if such weapon as modified has an overall length of less than 26 inches or a barrel or barrels of less than 16 inches in length; (5) any other weapon, as defined in b. below; (6) a machine gun; (7) a muffler or a silencer for any firearm whether or not such firearm is included within this definition; and (8) a destructive device. The term "firearm" shall not include an antique firearm or

any device (other than a machine gun or destructive device) which, although designed as a weapon, the Director, Bureau of Alcohol, Tobacco and Firearms, or authorized delegate finds by reason of the date of its manufacture, value, design, and other characteristics is primarily a collector's item and is not likely to be used as a weapon.

b. **ANY OTHER WEAPON.** The term "any other weapon" means any weapon or device capable of being concealed on the person from which a shot can be discharged through the energy of an explosive, a pistol or revolver having a barrel with a smooth bore designed or redesigned to fire a fixed shotgun shell, weapons with combination shotgun and rifle barrels 12 inches or more, less than 18 inches in length, from which only a single discharge can be made from either

[Continued on page 52]

DEPARTMENT OF THE TREASURY - BUREAU OF ALCOHOL, TOBACCO AND FIREARMS
APPLICATION TO MAKE AND REGISTER A FIREARM
(Submit in duplicate. See Instructions attached.)

TO: National Firearms Act Branch, Bureau of Alcohol, Tobacco and Firearms, Washington, DC 20226

The undersigned hereby make application, as required by Sections 5821 and 5822 of the National Firearms Act, Title 26 U.S.C., Chapter 53, to make and register the firearm described below.

APPLICATION IS MADE BY: INDIVIDUAL TRADE NAME (If any)

BUSINESS FIRM GOVERNMENT ENTITY

3a. APPLICANT'S NAME AND MAILING ADDRESS (Type or print below and between the dates)

•

•

b. IF P. O. BOX IS SHOWN ABOVE, STREET ADDRESS MUST BE GIVEN HERE

IMPORTANT: COMPLETE THE REVERSE SIDE INDIVIDUALS (INCLUDING LICENSE COLLECTORS) MUST ALSO SUBMIT, IN DUPLICATE, FBI FORM FD-298, FINGERPRINT CARD.

4. DESCRIPTION OF FIREARM (Complete items a through i)

a. NAME AND LOCATION OF ORIGINAL MANUFACTURER (Type or print below and between the dates)

b. TYPE OF FIREARM TO BE MADE (Shortbarreled rifle, machine gun, destructive device, etc.)

c. CALIBER, GAUGE OR SIZE (Specify)

LENGTH OF BARREL (Inches) f. OVERALL

g. SERIAL NUMBER (See Instruction 3c.)

h. ADDITIONAL DESCRIPTION (Include all numbers and other identifying data which will appear on the firearm)

i. STATE WHY YOU INTEND TO MAKE FIREARM (Use additional sheet if necessary)

6. SPECIAL (OCCUPATIONAL) TAX STATUS

a. ATF IDENTIFICATION NO.

b. CLASS

7. EMPLOYER'S IDENTIFICATION NUMBER (If applicable)

IMPORTANT: GIVE FULL DETAILS ON SEPARATE SHEET FOR ALL "YES" ANSWERS IN ITEMS 8 AND 9

8. IS APPLICANT

a. Charged by information or under indictment in any court for a crime punishable by imprisonment for a term exceeding one year?

b. A fugitive from justice?

c. An alien who is illegally or unlawfully in the United States?

d. Under 21 years of age?

e. An unlawful user of or addicted to marihuana or any depressant, stimulant or narcotic drug?

10. A citizen of the United States

UNDER PENALTIES OF PERJURY, I DECLARE that I have examined this application, including accompanying documents, and to the best of my knowledge and belief it is true, accurate and complete and the making of the statements above would not constitute a violation of Chapter 44, Title 18, U.S.C., Chapter 53, Title 26, U.S.C., Title VII of the Omnibus Crime Control and Safe Streets Act, as amended, or any provisions of State or local law.

11. SIGNATURE OF APPLICANT

12. NAME AND TITLE OF AUTHORIZED OFFICIAL OF FIRM OR CORPORATION (If applicable)

13. DATE

THE SPACE BELOW IS FOR THE USE OF THE BUREAU OF ALCOHOL, TOBACCO AND FIREARMS

By authority of the Director, Bureau of Alcohol, Tobacco and Firearms, this application has been examined and the applicant's making and registration of the firearm described above is:

APPROVED (With the following conditions, if any)

DISAPPROVED (For the following reasons)

EXAMINER DATE DATE AUTHORIZED ATF OFFICIAL DATE

ADDITIONAL REQUIREMENTS

1. PHOTOGRAPH

The Chief of Police, Sheriff, or other official acceptable to the Director must complete the "Law Enforcement Certification" below. If the applicant is an individual (including a licensed collector) a recent photograph must be attached in the space provided and FBI Form FD-298, Fingerprint Card, completed in duplicate, must be submitted.

AFEX
 RECENT PHOTOGRAPH HERE
 (Approximately 2" x 2")

2. LAW ENFORCEMENT CERTIFICATION (See IMPORTANT note below)

I certify that I am the chief law enforcement officer of the organization named below having jurisdiction in the area of residence of

(Name of Maker)

I have no information indicating that the maker will use the firearm or device described on this application for other than lawful purposes. I have no information that POSSESSION OF THE FIREARM DESCRIBED IN ITEM 4 ON THE FRONT OF THIS FORM WOULD PLACE THE MAKER IN VIOLATION OF STATE OR LOCAL LAW.

(Signature and Title of Chief Law Enforcement Officer—see IMPORTANT note below)

BY (See IMPORTANT NOTE BELOW)

(Signature and Title of Delegated Person)

(Organization)

(Street Address)

(City, State, and ZIP Code) (Date)

IMPORTANT: The chief law enforcement officer is considered to be the Chief of Police for the maker's city or town of residence, the Sheriff for the maker's county of residence; the Head of the State Police for the maker's State of residence; a State or local district attorney or prosecutor having jurisdiction in the maker's area of residence; or another person whose certification is acceptable to the Director, Bureau of Alcohol, Tobacco and Firearms. If someone has specific delegated authority to sign on behalf of the Chief of Police, Sheriff, etc., this fact must be noted by printing the Chief's, Sheriff's, or other authorized official's name and title, followed by the word "by," and the full signature and title of the delegated person.

INSTRUCTIONS (Continued)

barrel without manual reloading, and shall include any such weapon which may be readily restored to fire. Such term shall not include a pistol or a revolver having a rifled bore, or rifled bores, or weapons designed, made, or intended to be fired from the shoulder and not capable of firing fixed ammunition.

c. PERSON. The term "person" means any individual, company, corporation, association, firm, partnership, joint stock company, trust or society.

2. PREPARATION OF APPLICATION TO MAKE AND REGISTER A FIREARM, AND PAYMENT OF TAX, WHERE REQUIRED.

a. As provided in §5822 of the National Firearms Act, every person [other than a licensed manufacturer who has also paid the required special (occupational) tax to manufacture NFA weapons] seeking to make a firearm must complete, in duplicate, a separate application on this form for each firearm. The applicant maker must furnish all the information called for on this application form.

b. The applicant must present this form to the law enforcement agency having jurisdiction in his area of residence (Chief of Police, Sheriff, etc.) for completion of the Law Enforcement Certification on the back of the form. If the applicant is other than an individual, the trade name should be entered as "name of maker."

c. If the applicant is an individual (including a licensed collector), an unmounted photograph (2" x 2" taken within the past year) must be affixed in the indicated space on both copies of the form, and completed FBI Form FD-258, Fingerprint Card, must be submitted in duplicate. The prints should be taken by someone qualified to do so and must be clear, unsmudged and classifiable. In addition, the person taking the fingerprints must enter the identification data regarding the individual maker and must complete the Fingerprint Cards by signing as the person taking the fingerprints.

d. All required signatures must be entered in ink. It is preferred that the form be prepared by use of a typewriter, using carbon paper to make an exact duplicate. Pen and ink may be used, but under no circumstances will a form filled in by use of a lead pencil be accepted. The signature on both copies *must* be an original. Photocopies, other facsimiles, or carbon copy signatures are not acceptable. All changes made on the form must be initialed and dated by the applicant.

e. Unless the making of the firearm is tax exempt (see instruction 4 below), a \$200 making tax must be paid (Title 26 U.S.C., Chapter 53, §5821(a)).

f. Item 4a. of the form should clearly indicate if the parts of a receiver which has been destroyed in accordance with Department of Defense (DOD) demilitarization standards will be used to "make" the receiver of the firearm. The name of the manufacturer of the original receiver should be shown, as well as any serial number appearing on such receiver. Please note that a machinegun receiver which has not been destroyed according to current DOD demilitarization standards may be classified as a National Firearms Act (NFA) weapon in and of itself. It is unlawful to possess an NFA firearm which is not registered to the possessor and the weapon is subject to the seizure and forfeiture provisions of the law.

g. It is suggested that the Serial Number (item 4g on the face of the form) contain at least four digits, preceded by the maker's initials.

h. If any questions arise concerning the preparation of the form, contact the NFA Branch, Bureau of Alcohol, Tobacco and Firearms, Washington, DC 20226 or the nearest ATF office.

3. DISPOSITION OF APPLICATION TO MAKE AND REGISTER A FIREARM.

The applicant will forward both copies of the form to the NFA Branch, Bureau of Alcohol, Tobacco and Firearms, Washington, DC 20226, with a \$200 check or money order (where required) made payable to the Department of the Treasury. If approved, the original of the approved form will be returned to the applicant and ATF will retain the duplicate. Approval by ATF will effect registration of the firearm to the applicant. The applicant shall not, under any circumstances, make the firearm until the approved form, with the "National Firearms Act" stamp attached, is received. The form must be retained by the applicant and be available at all times for inspection by Government officers until such time as the firearm may later be transferred after approval by this office. If the application is disapproved, the original and any accompanying check or money order will be returned to the applicant with the reason for disapproval.

4. EXEMPTIONS FROM PAYMENT OF TAX.

a. Under the provisions of §§5852 and 5853, National Firearms Act, firearms, as defined in 1a. and 1b., may be made by any person without payment of the making tax when made by, or on behalf of: (1) the United States, or any department, independent establishment, or agency thereof; or (2) any State or possession of the United States, or any political subdivision thereof, or any official police organization of such a government entity engaged in criminal investigations. The maker must apply on this form and obtain the approval of the Director before making the firearm. Documentation that the firearm is being made for a government entity must accompany the application. A U.S. Government Contract number or a State or local government purchase order would be acceptable documentation. Upon receipt of the approved ATF Form 1, and after the firearm has been made, the maker must apply on ATF Form 5 for the tax exempt transfer of the firearm to the government entity for whom it was made.

b. A manufacturer who has paid special (occupational) tax to manufacture firearms may make the kind of firearm that he is qualified to manufacture without payment of the making tax and he is not required to file this application form. However, the qualified manufacturer must report and register each firearm made by filing ATF Form 2, Notice of Firearms Manufactured or Imported, with the Director, immediately after manufacturing the firearm.

5. PERSONS PROHIBITED FROM MAKING A FIREARM.

Section 5822 of the National Firearms Act requires that the application to make a firearm be denied if the making or possession of the firearm would place the person making the firearm in violation of law. The term "law" in this statute includes Federal laws as well as State statutes and local ordinances applicable to the locality where the transferee resides. Under Title VII of Public Law 90-351, as amended, (18 U.S.C., Appendix, 1201-1203), the possession "in commerce or affecting commerce" of a firearm, including an unserviceable firearm which has a frame or receiver is unlawful when possessed by any person who:

(1) has been convicted by a court of the United States or of a State or any political subdivision thereof of a felony, or

(2) has been discharged from the Armed Forces under dishonorable conditions, or

(3) has been adjudged by a court of the United States or of a State or any political subdivision thereof of being mentally incompetent, or

(4) having been a citizen of the United States, has renounced his citizenship, or

(5) being an alien is illegally or unlawfully in the United States.

6. PENALTIES.

Any person who violates or fails to comply with any of the requirements of the National Firearms Act shall, upon conviction, be fined not more than \$10,000 or be imprisoned for not more than 10 years, or both, in the discretion of the court. Moreover, any firearm involved in any violation of the provisions of the National Firearms Act or any regulations issued thereunder shall be subject to seizure and forfeiture. It is unlawful for any person to make or cause the making of a false entry on any application or record required by the National Firearms Act, knowing such entry to be false.

7. LATER TRANSFER OF THE FIREARM.

If the firearm is to be transferred later by the applicant, an application form covering the proposed transfer must be filed with the Director, Bureau of Alcohol, Tobacco and Firearms.

Look to *Desert Publications* for the finest in survival, self-defense, military & police science, firearms & weaponry and alternate energy books.



Desert Publications

A Division of The Delta Group, Ltd.

P. O. Box 1751

215 S. Washington

El Dorado, AR 71731

501-862-2077

ISBN 0-87947-110-7



0 87947 110 7